



WIFI ANTENNA

Antenna WiFi Magnetic, 2.4 GHz, 5 dBi
RSMA(f), RG316/1 m

AW-A24G-M5SR

SECTRON company offers a wide portfolio of WiFi antennas with various versions differing in shape, level of gain and manner of attachment. SECTRON guarantees a compatible connection between an antenna and all antenna adaptors produced by SECTRON.

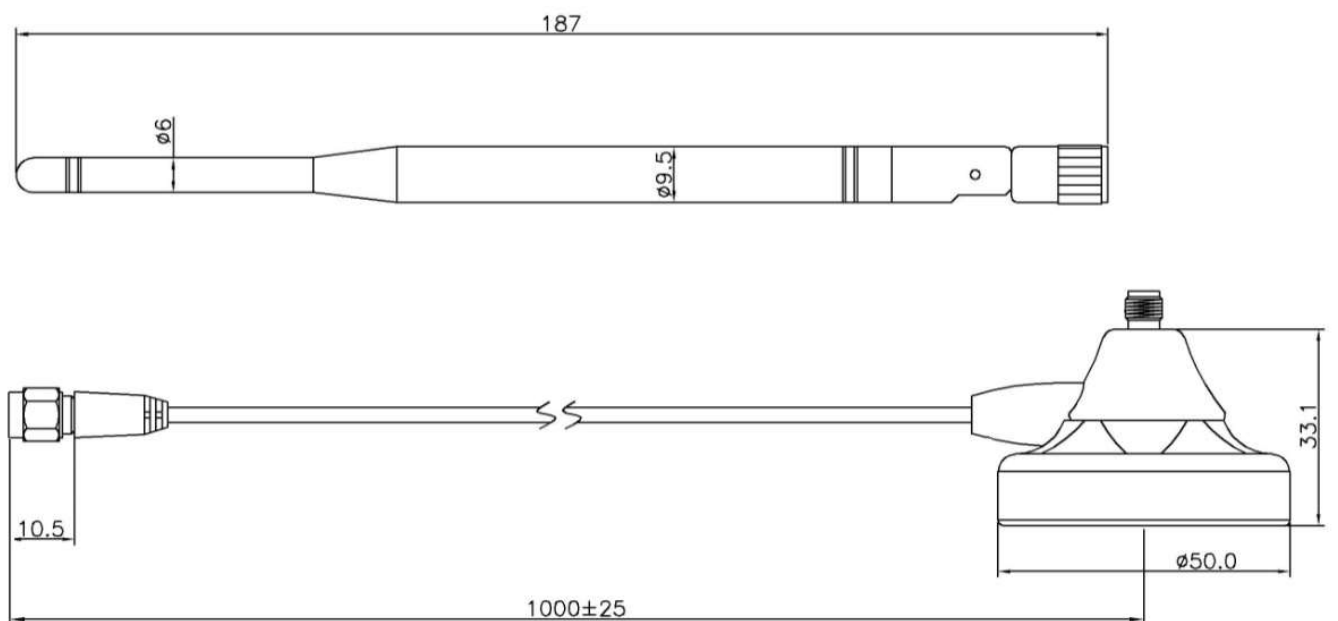


BENEFITS

- Low VSWR
- Easy installation

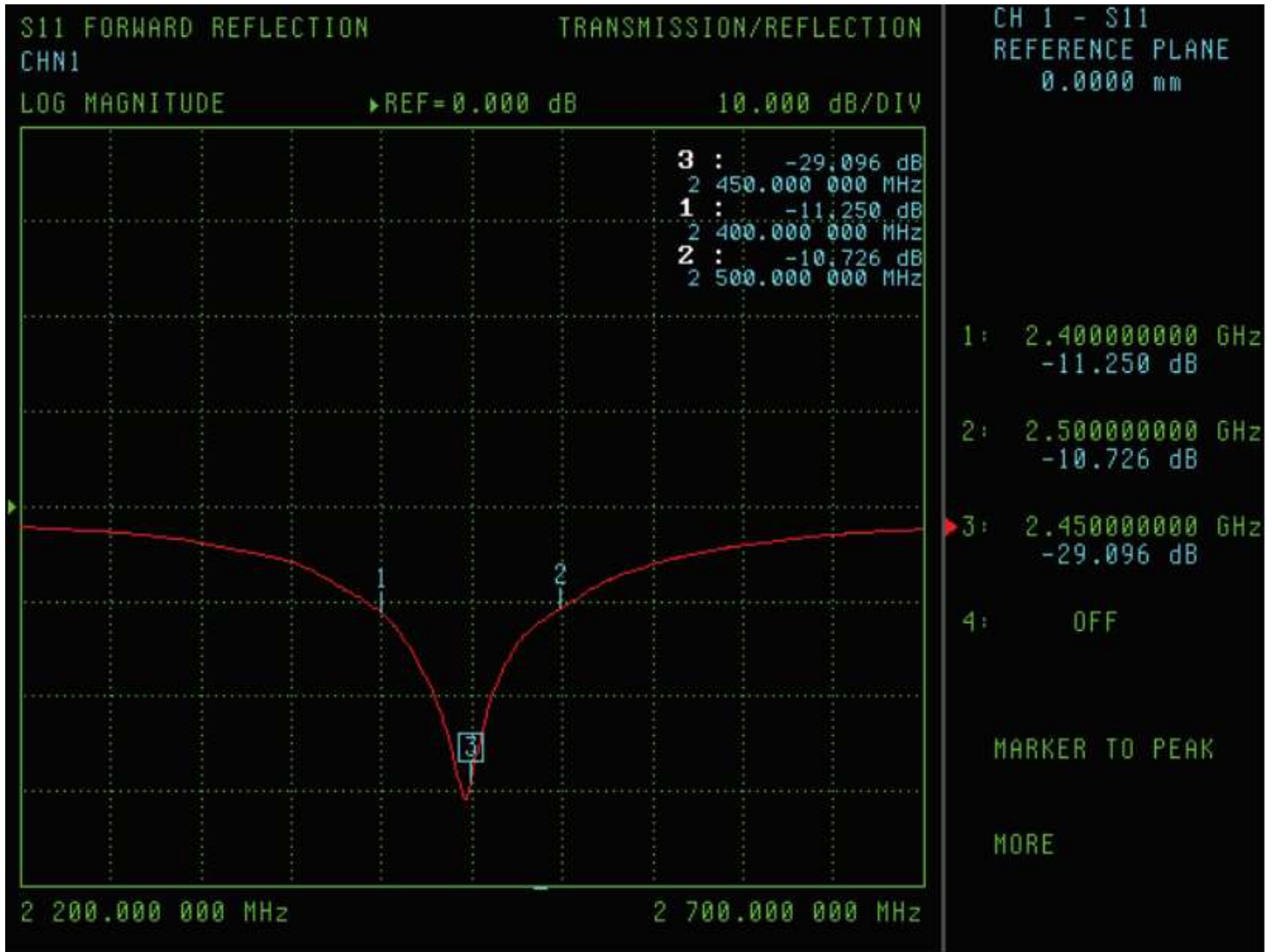
Technology	WIFI
Frequency bands	2400 MHz
Bandwidth	-
Gain	5 dBi
VSWR	<1.8:1
Impedance	50 Ohm
Directivity	Omnidirectional
Beam angle	H 360° V 30°
Polarization	Linear
Maximum input power	10 W
Power voltage	-
Dimensions	90°: 59.5 x 170; 180°: \varnothing 50 x 220 mm
Weight	121.75 g
Operating temperature	-20 to +60 °C
Execution	External
Method of attachment	Mounting
Cable type	RG316/U
The cable length	1 m
Connector type	RSMA(f)
Certification	ISO 9001/ISO 14001

DRAWING



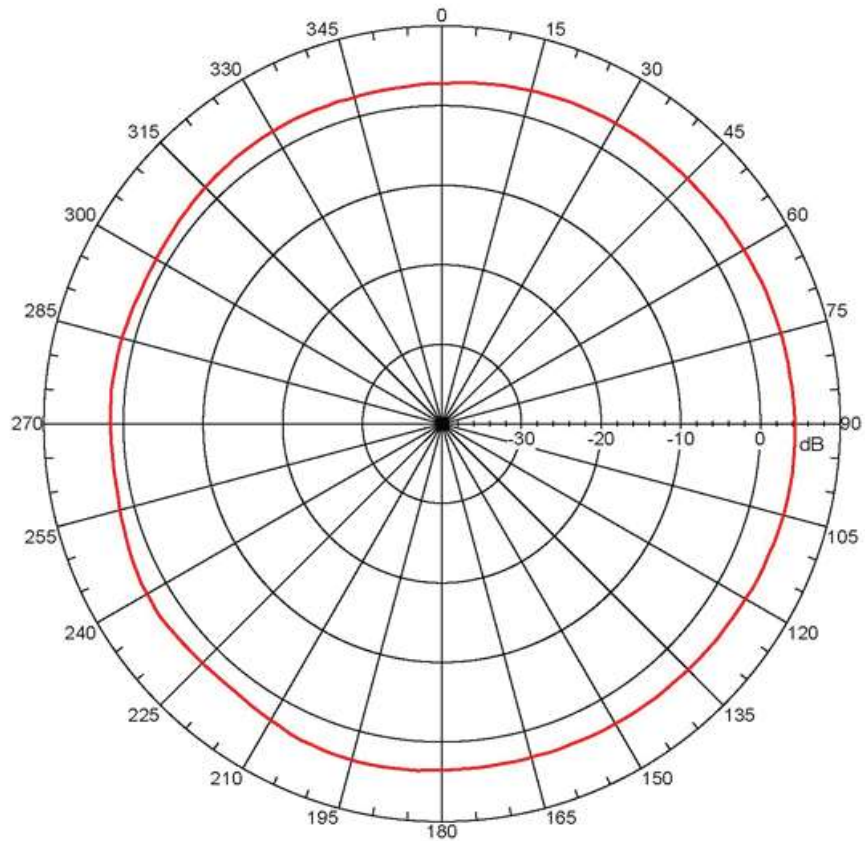
Unit: mm

GRAPH- S11



Frequency (MHz)	Return Loss (dB)	VSWR	Gain (dBi)
2400	-11.25	1.75	4.84
2450	-29.1	1.07	5.2

RADIATION PATTERN



VARIANTS

Different connector variants or cable lengths are available on request.

CONTACTS

SECTRON s.r.o. Josefa Šavla 1271/12
709 00 Ostrava 9, Czech Republic

WWW.SECTRON.CZ
Tel.: +420 556 621 021