

WLAN ANTENNA

Antenna WiFi Screw Mount R36,
2.4 GHz, 0 dBi, U.FL088/30cm,
IP67,
Rubber Protective Coating

AW-A24G-36U

SECTRON company offers a wide portfolio of WIFI antennas with various versions differing in shape, level of gain and manner of attachment. SECTRON guarantees a compatible connection between an antenna and all antenna adaptors produced by SECTRON.

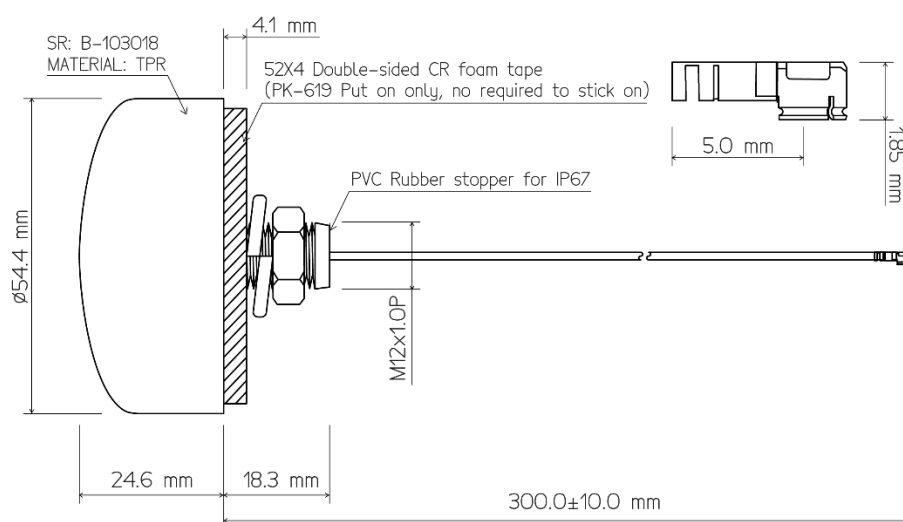


BENEFITS

- Low VSWR

| | |
|-----------------------|------------------|
| Technology | WiFi |
| Frequency bands | 2.4 GHz |
| Bandwidth | - |
| Gain | 0 dBi |
| VSWR | <2.0:1 |
| Impedance | 50 Ohm |
| Directivity | Omnidirectional |
| Beam angle | H 360° V 30° |
| Polarization | Linear |
| Maximum input power | 10 W |
| Power voltage | - |
| Dimensions | Ø 54.7 x 23.3 mm |
| Weight | 86.46 g |
| Operating temperature | -30 to +90 °C |
| Execution | External |
| Method of attachment | Screw Mount |
| Cable type | Ø1.37 mm |
| The cable length | 300 mm |
| Connector type | U.FL(f) |
| IP Code | IP67 |

DRAWING



CONTACTS