



WLAN ANTENNA

Antenna WiFi Mounting R36,
2.4/5.8GHz, 5.4/6.2 dBi, RG58/3m, open end

AW-A2458G-3603

SECTRON company offers a wide portfolio of WLAN antennas with various versions differing in shape, level of gain and manner of attachment. SECTRON guarantees a compatible connection between an antenna and all antenna adaptors produced by SECTRON.



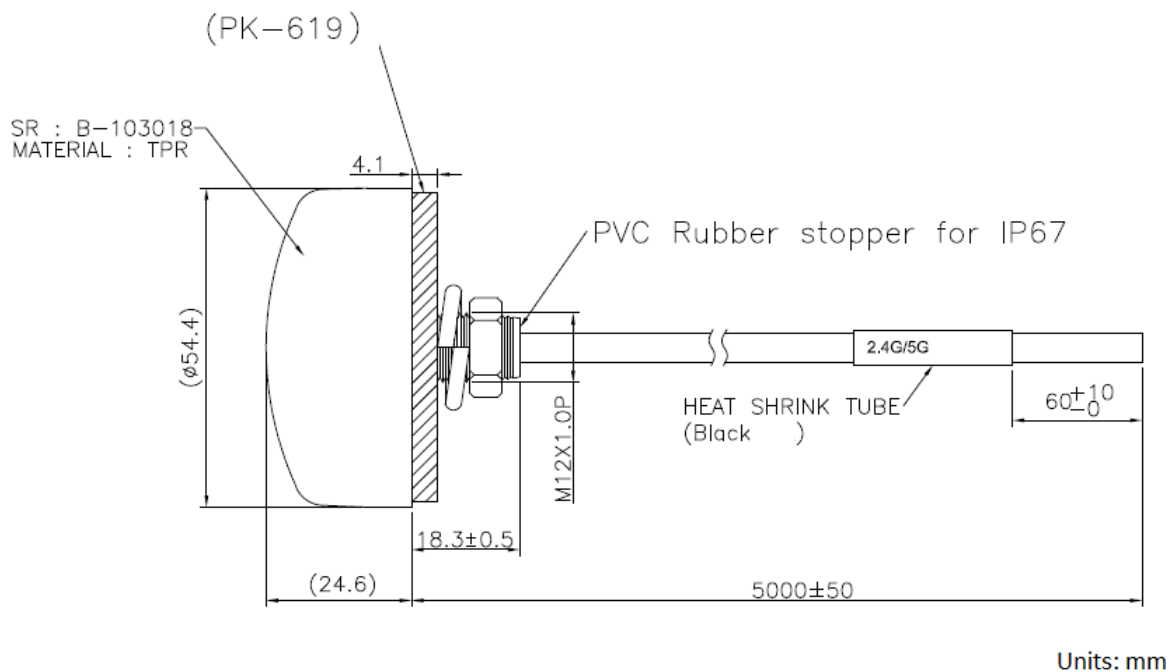
BENEFITS

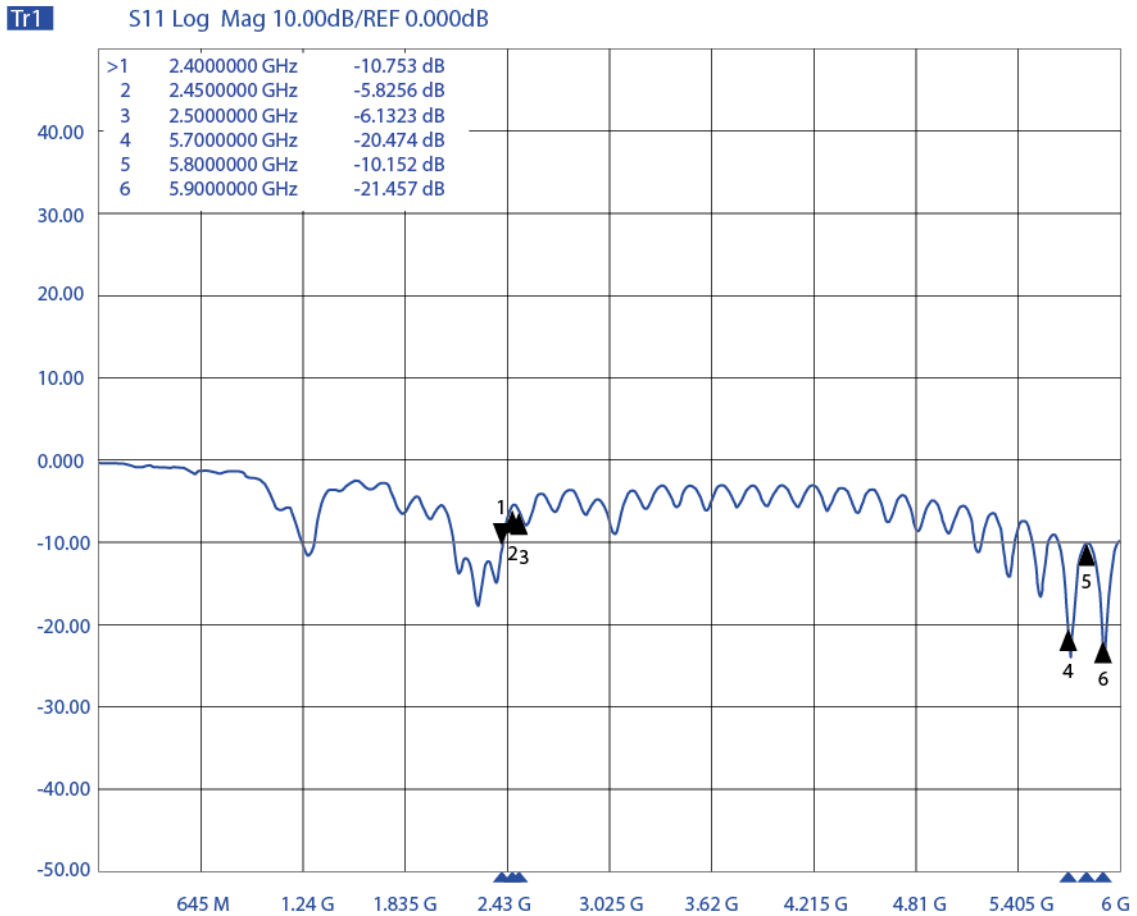
- Low VSWR
- High gain

Technology	WiFi/Bluetooth
Frequency bands	2.4/5.8 GHz
Bandwidth	-
Gain	5.4/6.2 dBi
VSWR	<2.0:1
Impedance	50 Ohm
Directivity	Omnidirectional
Beam angle	H 360° V 30°
Polarization	Linear
Maximum input power	10 W
Power voltage	-
Dimensions	∅ 54.4 x 42.9 mm
Weight	165.11 g
Operating temperature	-30 to +90 °C
Execution	External
Method of attachment	Mounting
Cable type	RG58/U
The cable length	3 m
Connector type	Open end
Certification	RoHS
IP code	IP67

DRAWING

AW





Frequency (MHz)	Return Loss (dB)	VSWR	Efficiency (%)	Gain (dBi)
2400	-10.73	1.81: 1	63.83	5.4
2450	-5.83	3.10: 1	48.42	4.06
2500	-6.13	2.94: 1	40.36	2.61
5700	-20.47	1.22: 1	48.98	4.88
5800	-10.15	1.90: 1	47.64	5.06
5900	-21.45	1.18: 1	63.1	6.18

VARIANTS

Different connector variants or cable lengths are available on request.

CONTACTS