



GPS ANTENNA

Antenna GPS Mounting 32, SMA(m), RG174/5m

AP-AGPS-CAP

SECTRON company offers a wide portfolio of GPS antennas with various versions differing in shape, level of gain and manner of attachment. SECTRON guarantees a compatible connection between an antenna and all antenna adaptors produced by SECTRON.

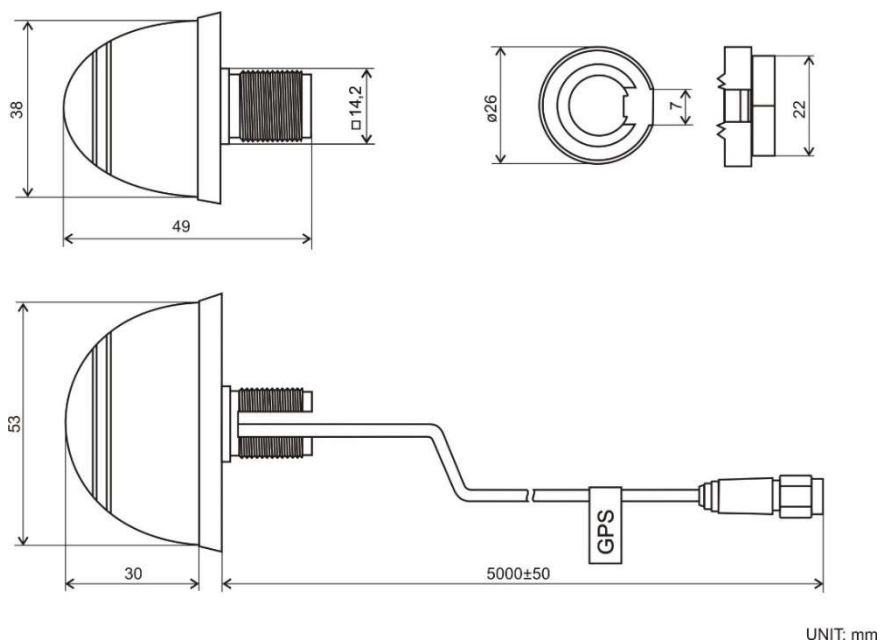


BENEFITS

- Low VSWR
- High frequency range

Technology	GPS
Frequency bands	1575.42 MHz
Bandwidth	-
Gain	30 dBi
VSWR	<1.5:1
Impedance	50 Ohm
Directivity	Omnidirectional
Beam angle	H-360° V-30°
Polarization	R.H.C.P
Maximum input power	10 W
Power voltage	2.7 – 5.5V DC
Dimensions	53 x 38.4 x 30 mm
Weight	131 g
Operating temperature	-30 to +90 °C
Execution	External
Method of attachment	Mounting
Cable type	RG174/U
The cable length	5 m
Connector type	SMA(m)

DRAWING



CONTACTS