



ANTENNA GPS

Antenna GPS Screw Mount Marine, 45 dBi, TNC(f)

AP-AGPS-56T

SECTRON company offers a wide portfolio of GPS antennas with various versions differing in shape, level of gain and manner of attachment. SECTRON guarantees a compatible connection between an antenna and all antenna adaptors produced by SECTRON.

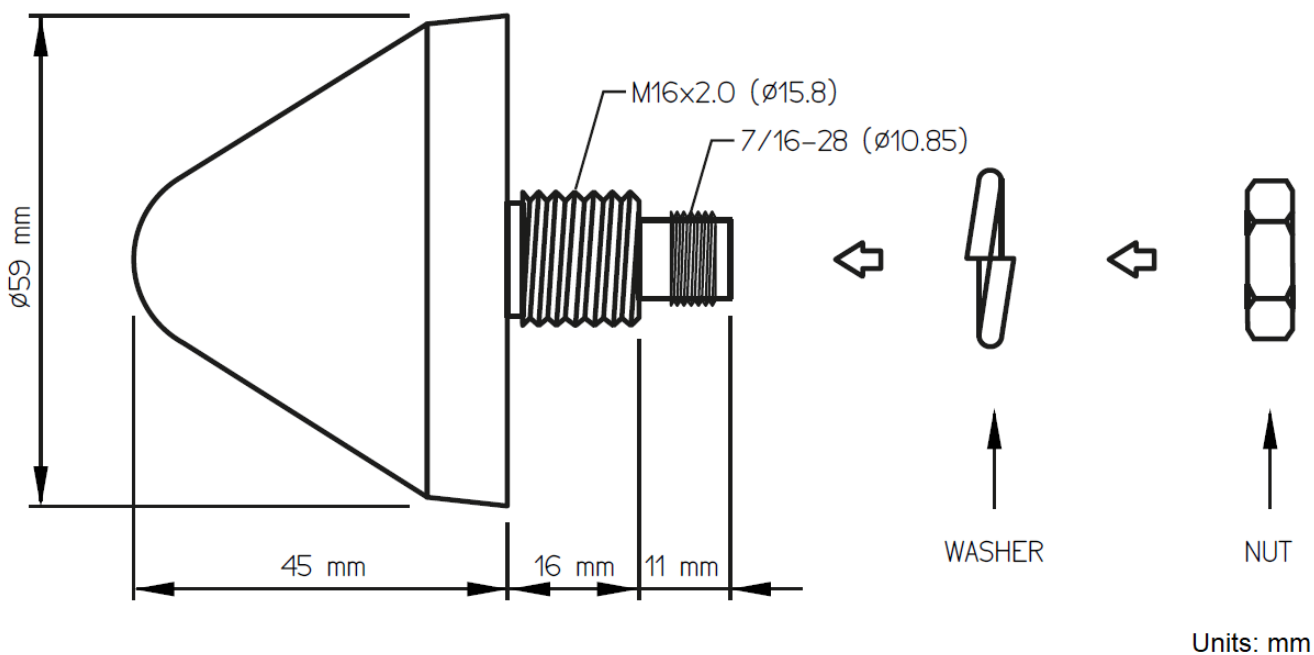
BENEFITS

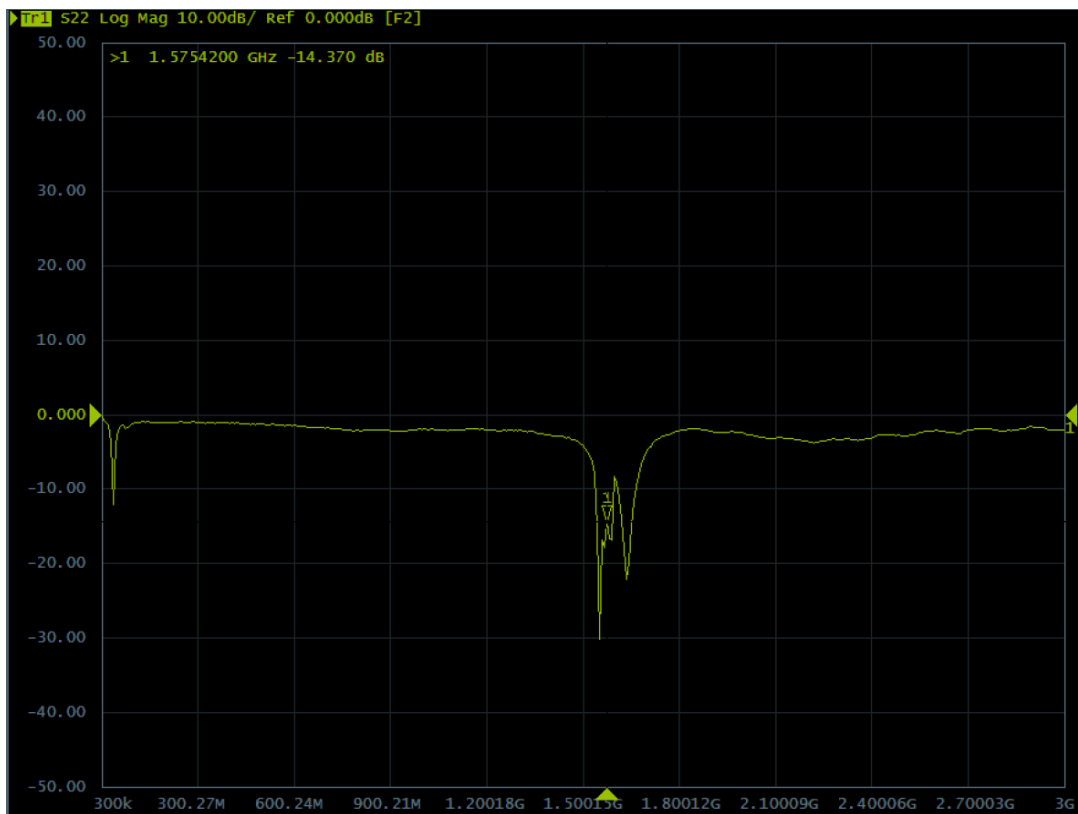
- Low VSWR
- Easy installation
- High LNA gain
- High IP67



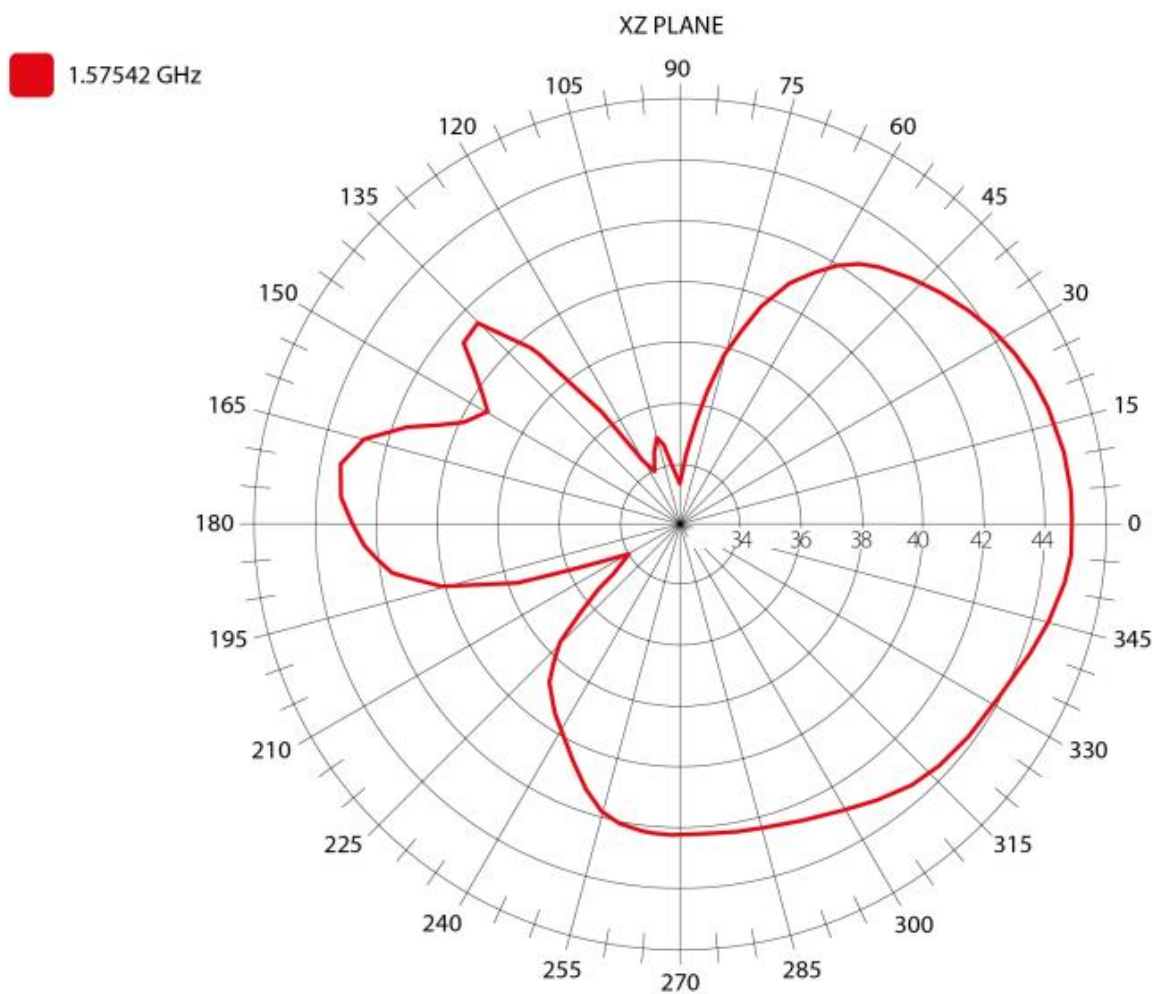
Technology	GPS
Frequency bands	1575.42 MHz
Bandwidth	-
Gain	1.5 dBi
LNA gain (5.5 V)	45.21 dBi
VSWR	< 1.46 : 1
Impedance	50 Ohm
Directivity	
Beam angle	45°
Polarization	RHCP
Power consumption	8.5 mA
Power voltage	Min: 1.8 V Typ: 3.0 V Max: 5.5 V
Dimensions	72 x 59 mm
Weight	90.49 g
Operating temperature	- 40 to + 80 °C
Execution	External
Method of attachment	Mounting
Connector type	TNC(f)
Code IP	IP67
Certification	RoHS, ISO 9001, ISO 14001

DRAWING



S₁₁ [dB] – RETURN LOSS**VSWR – STANDING WAVE RATIO [-]**

2D RADIATION PATTERN



Frequency (MHz)	Return Loss (dB)	VSWR	Gain (dBi)
1575.42	-14.37	1.46	45.21

ALL VARIANTS

Different connector variants or cable lengths are available on request.

CONTACTS

SECTRON s.r.o. Josefa Šavla 1271/12
709 00 Ostrava 9, Czech Republic

WWW.SECTRON.CZ
Tel.: +420 556 621 020