



GNSS ANTENNA

Internal GNSS (GPS/GLONASS)
passive patch antenna, SMD,
18x18x4

AP-AGNSS-SGP18-4

SECTRON company offers wide portfolio GNSS antennas with various versions differing in shape, level of gain or attachment manner. SECTRON guarantees compatible connection between antenna and all antenna adaptors produced by SECTRON.

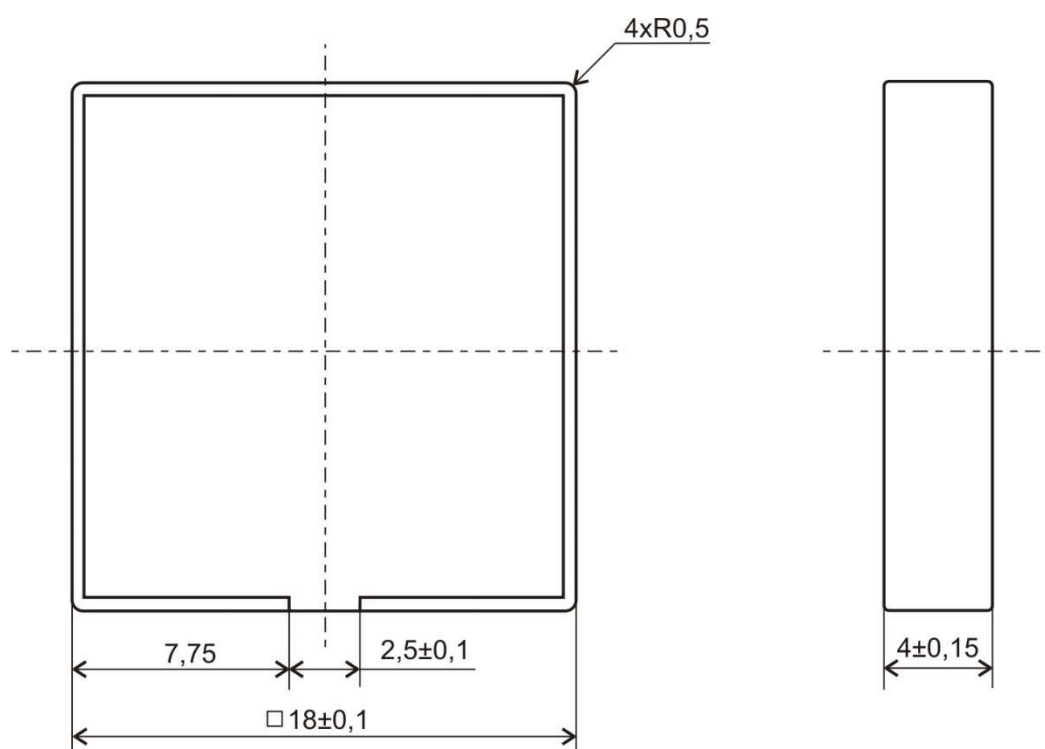


BENEFITS

- Low VSWR
- Optimized high frequency Gain
- Flexible

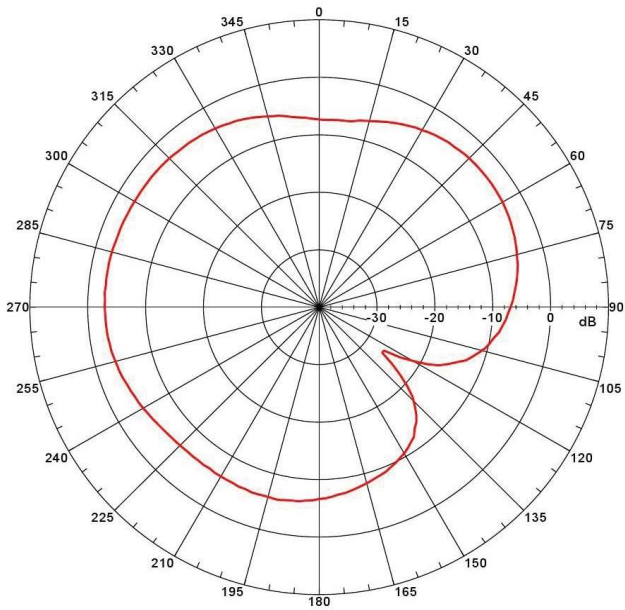
Technology	GPS/GLONASS
Frequency bands	1575.42/1602 MHz
Bandwidth	16 MHz
Gain	-2 dBi
VSWR	<1.5:1
Impedance	50 Ohm
Directivity	Omnidirectional
Beam angle	H 360° V 90°
Polarization	R.H.C.P.
Maximum input power	10 W
Power voltage	-
Dimensions	18 x 18 x 4 mm
Weight	9.39 g
Operating temperature	-40 to +105 °C
Execution	Internal
Method of attachment	Patch
Cable type	-
The cable length	-
Connector type	-

DRAWING

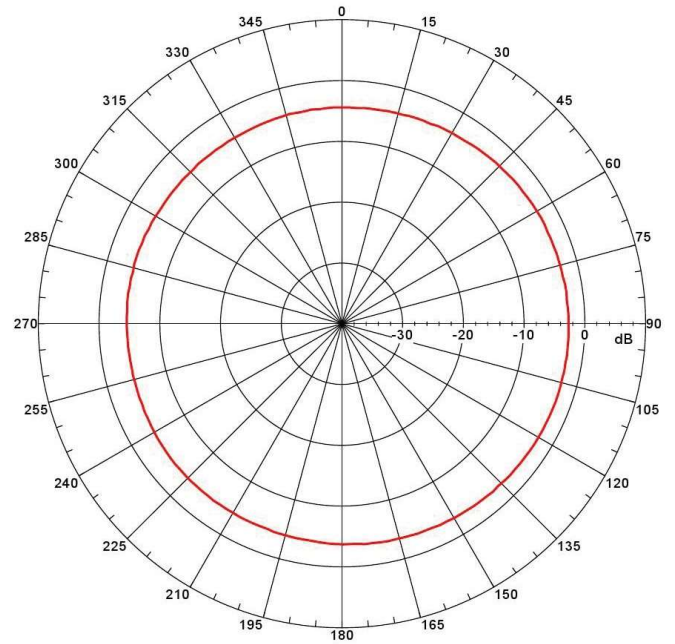


UNIT: mm

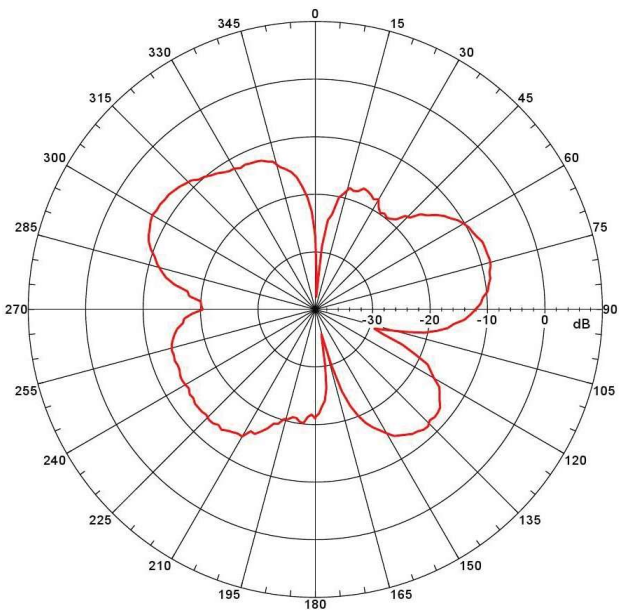
Far-field amplitude of C07+M25-1+Cable-4.5M-E.nsi



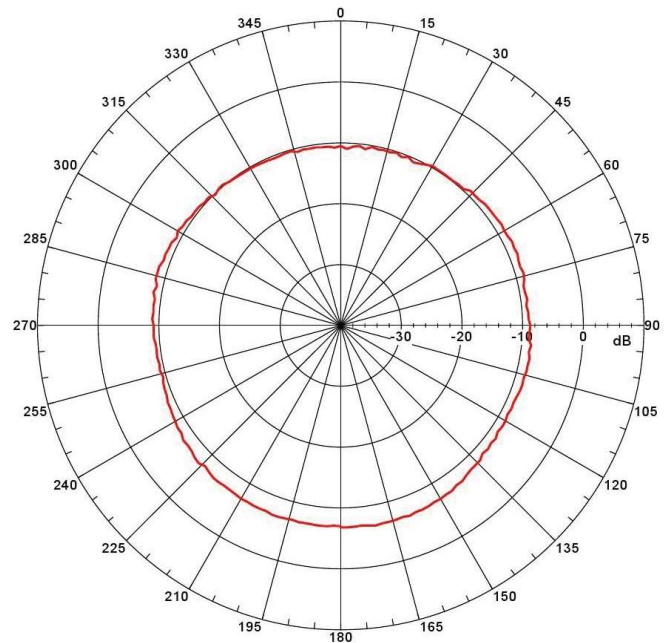
Far-field amplitude of C07+M25-1+Cable-4.5M-H.nsi



Far-field amplitude of C07+M25-1+Cable-4.5M-E.nsi



Far-field amplitude of C07+M25-1+Cable-4.5M-H.nsi



Different connector variants or cable lengths are available on request.