



## GPS/GLONASS ANTENNA

Internal GNSS (GPS/GLONASS)  
passive patch antenna, SMD, 15x15x4

AP-AGNSS-SGP15-4

SECTRON company offers a wide portfolio of GPS/GLONASS antennas with various versions differing in shape, level of gain and manner of attachment. SECTRON guarantees a compatible connection between an antenna and all antenna adaptors produced by SECTRON.

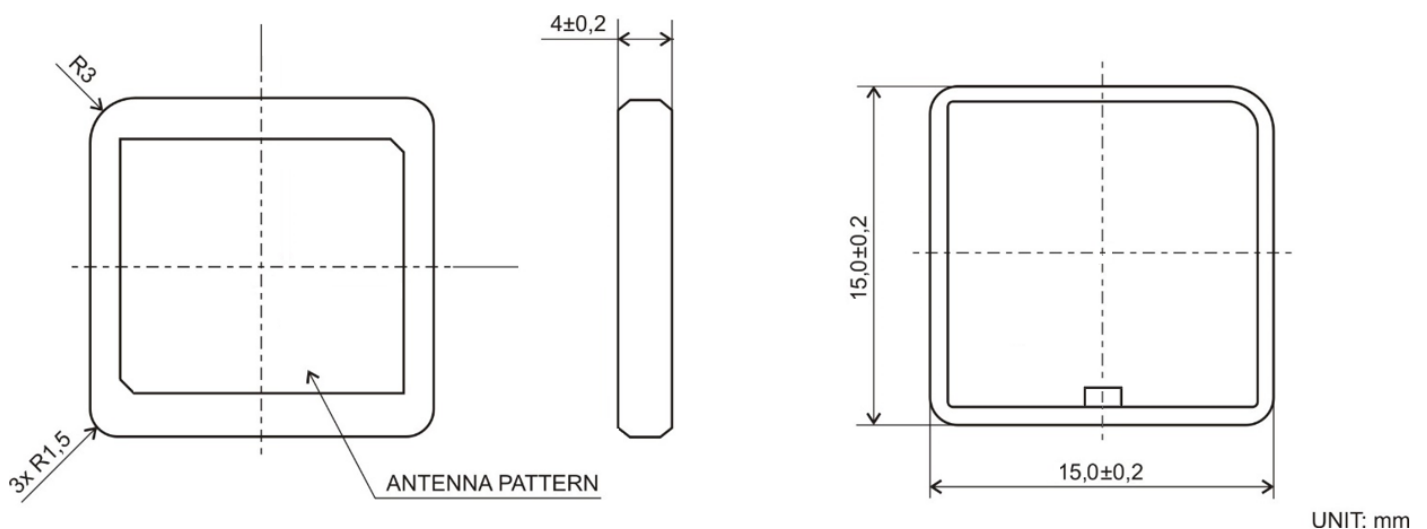


### BENEFITS

- High operating temperature
- Minimalist dimension

|                       |                  |
|-----------------------|------------------|
| Technology            | GPS/GLONASS      |
| Frequency bands       | 1575.42/1602 MHz |
| Bandwidth             | -                |
| Gain at Zenith        | -5.5/-2.0 dBi    |
| VSWR                  | <1.8:1           |
| Impedance             | 50 Ohm           |
| Directivity           | Directional      |
| Beam angle            | H 60° V 30°      |
| Polarization          | R.H.C.P.         |
| Maximum input power   | 10 W             |
| Power voltage         | -                |
| Dimensions            | 15 x 15 x 4 mm   |
| Weight                | 4.53 g           |
| Operating temperature | -40 to +105 °C   |
| Execution             | Internal         |
| Method of attachment  | Soldering        |
| Cable type            | -                |
| The cable length      | -                |
| Connector type        | -                |
| IP Code               | -                |
| Certification         | -                |

DRAWING



Different connector variants or cable lengths are available on request.