



## GPS/GLONASS ANTENNA

Antenna GPS/GLONASS Screw  
Mount 602, SMA(m),  
RG174/3m

AP-AGNSS-A602S

SECTRON company offers a wide portfolio of GPS/GLONASS antennas with various versions differing in shape, level of gain and manner of attachment. SECTRON guarantees a compatible connection between an antenna and all antenna adaptors produced by SECTRON.

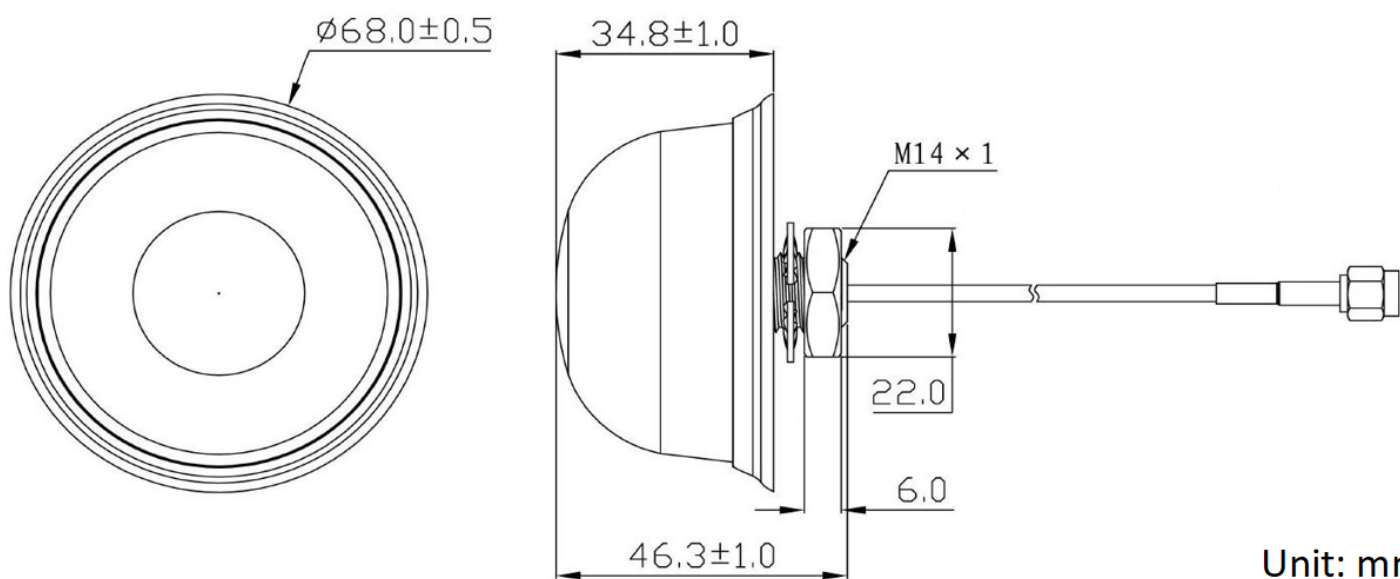


### BENEFITS

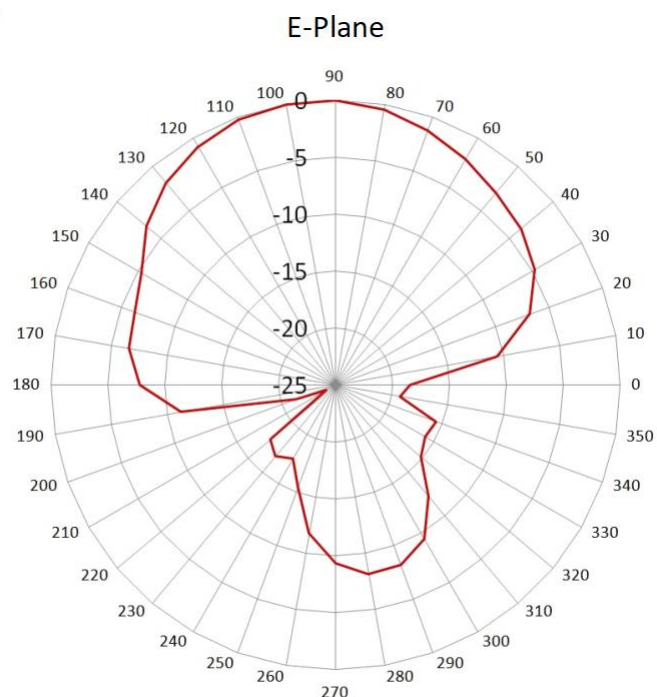
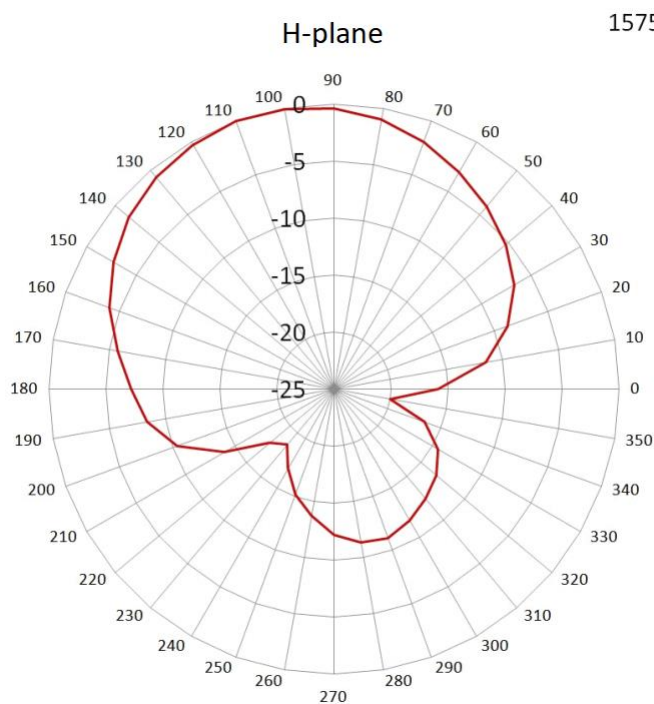
- Anti-vandal design
- High gain
- Environmental resistance

Technology	GPS/GLONASS
Frequency bands	1575.42/1602 MHz
Bandwidth	-
Gain	2 dBi
LNA Gain	28 dBi
VSWR	< 1.5:1
Impedance	50 Ohm
Directivity	Omnidirectional
Beam angle	H 360° V 30°
Polarization	R.H.C.P.
Maximum input power	10 W
Power voltage	2.2-5V DC
Dimensions	68 x 34.8 mm
Weight	197.32 g
Operating temperature	-40 to +85 °C
Execution	External
Method of attachment	Screw Mount
Cable type	RG174/U
The cable length	3 m
Connector type	SMA (m)

DRAWING



Unit: mm



## ALL VARIANTS

Different connector variants or cable lengths are available on request.

## CONTACTS