



LTE ANTENNA

Antenna GSM/UMTS/LTE
Adhesive, 5 dBi, SMA(m),
RG58/1m

AO-ALTE-SA5S1

SECTRON company offers a wide portfolio of GSM/UMTS/LTE antennas with various versions differing in shape, level of gain and manner of attachment. SECTRON guarantees a compatible connection between an antenna and all antenna adaptors produced by SECTRON.

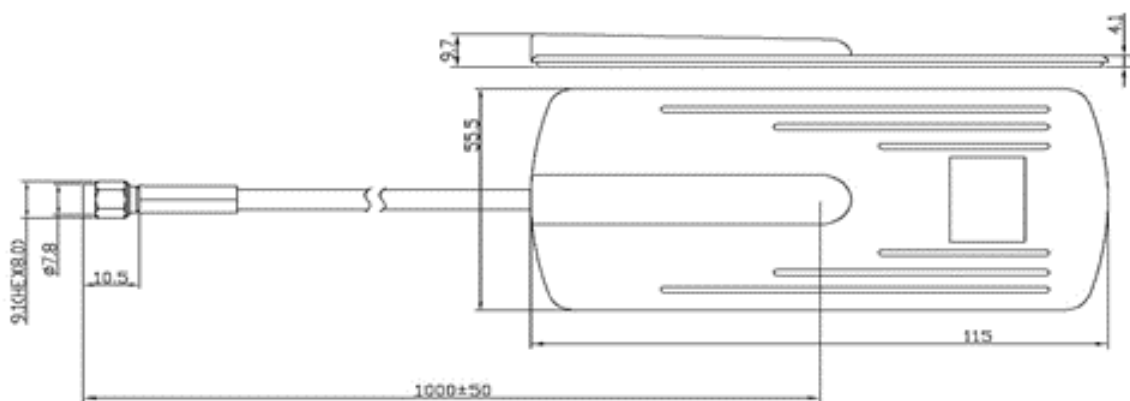


BENEFITS

- High frequency range
- Easy installation
- Omnidirectional - suitable for moving devices

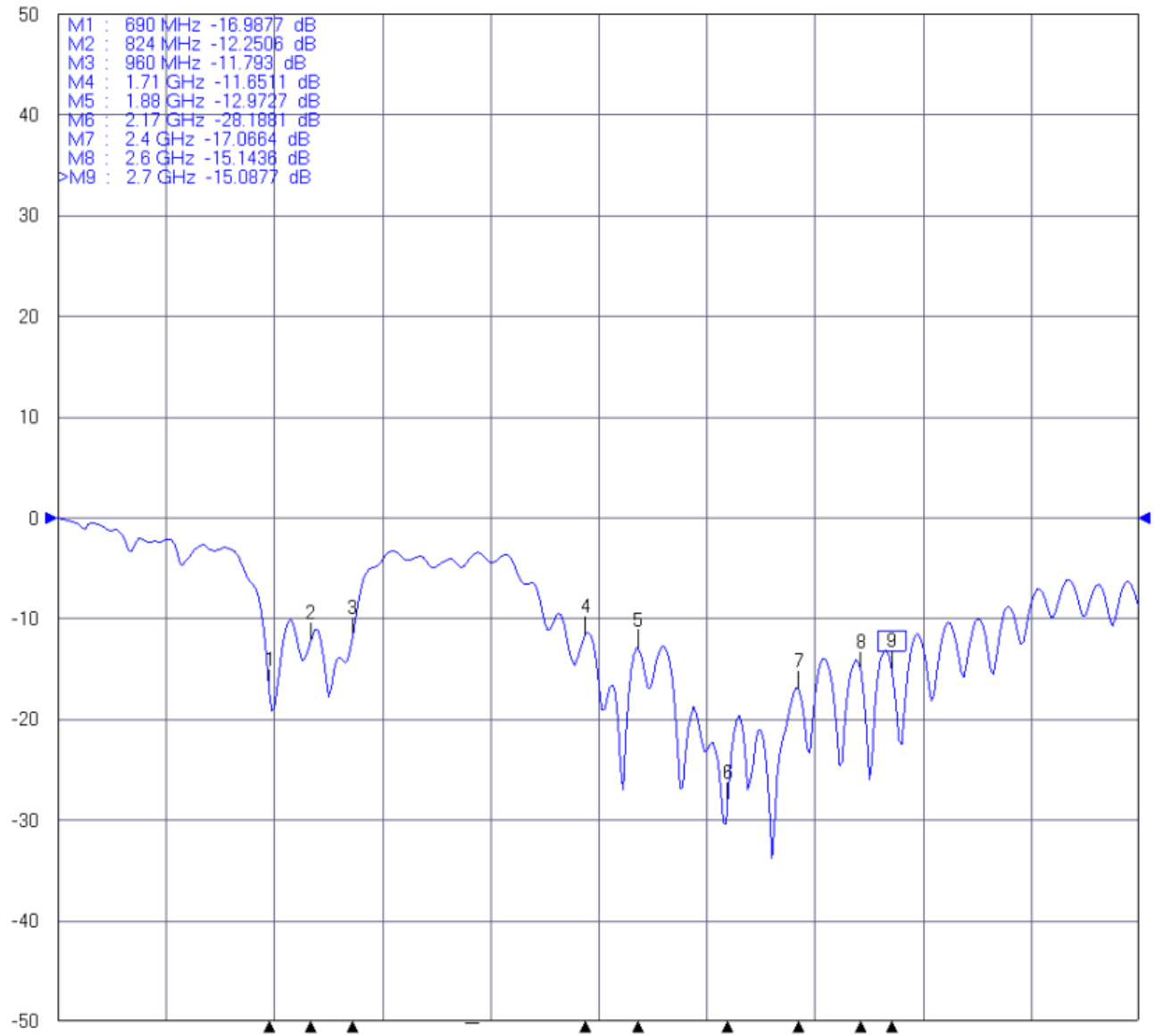
Technology	GSM/UMTS/LTE
Frequency bands	800/900/1700/1800/1900/2100/2400/2500/2600/2700 MHz
Bandwidth	-
Gain	3-5 dBi
VSWR	<2.0:1
Impedance	50 Ohm
Directivity	Omnidirectional
Beam angle	H 360° V 30°
Polarization	Linear
Maximum input power	10 W
Power voltage	-
Dimensions	115 x 56 x 9.7 mm
Weight	129.42 g
Operating temperature	-30 to +80 °C
Execution	External
Method of attachment	Adhesive
Cable type	RG58
The cable length	1 m
Connector type	SMA (m)

DRAWING



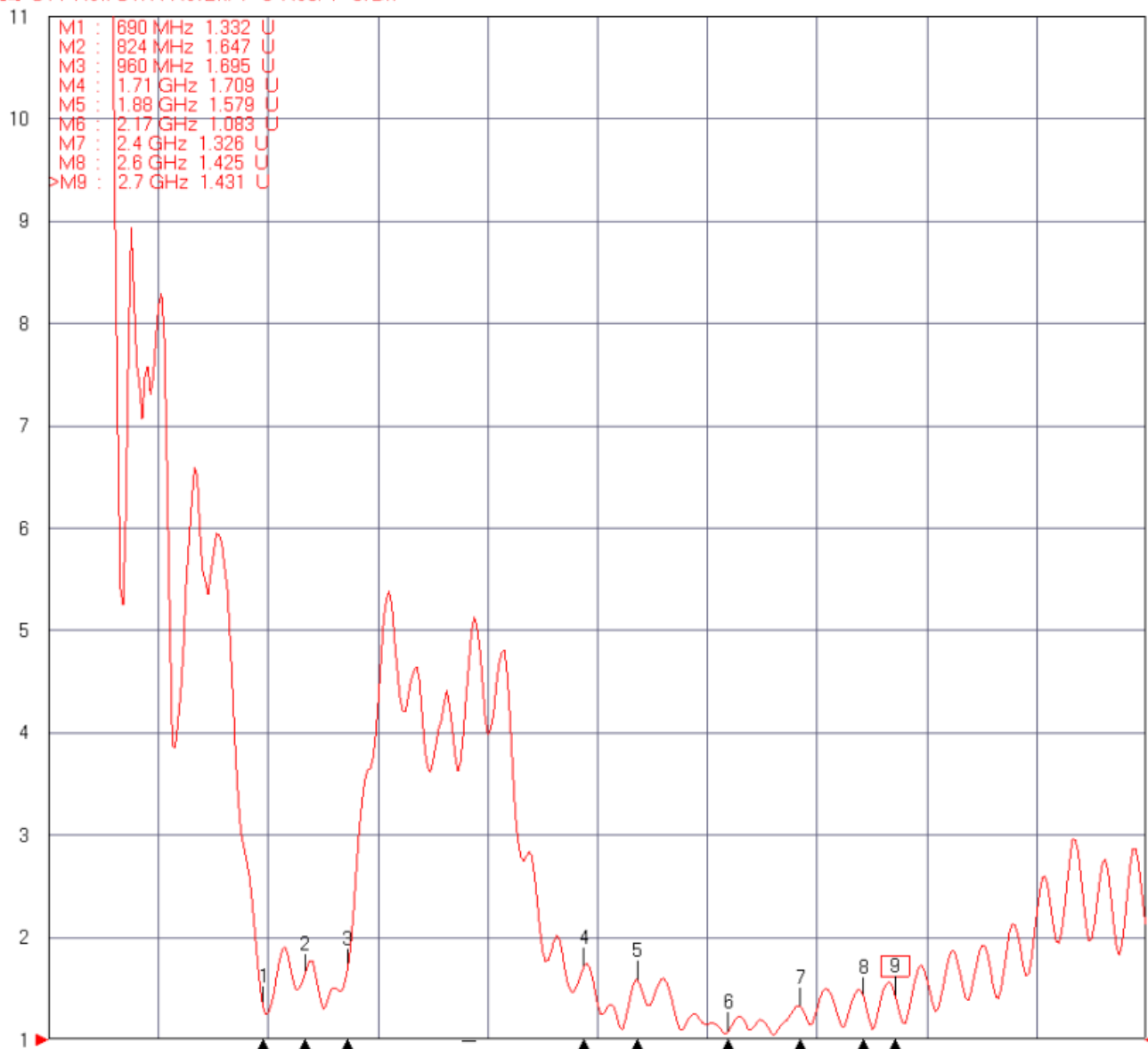
S11 Return Loss [dB]

Tr1 S11 Refl Load RefLvl: 0 dB Res: 10 dB/Div

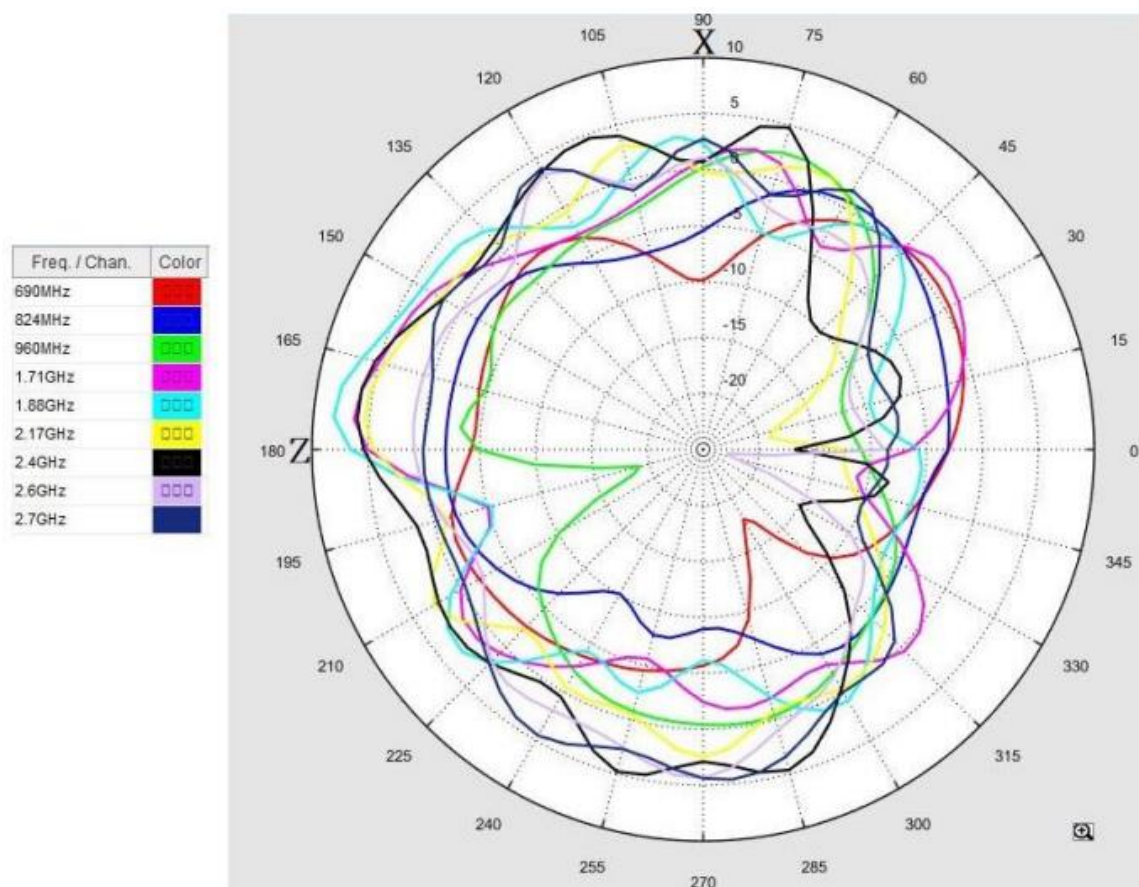


VSWR [-]

▶ Tr2 S11 Refl SWR RefLvl: 1 U Res: 1 U/Div



Radiation pattern



Porovnání

Frequency (MHz)	Return Loss (dB)	VSWR	Efficiency (%)	GAIN (dB)
690	-16.98	1.33	51.88	0.49
824	-12.25	1.64	53.58	0.7
960	-11.79	1.69	63.68	2.47
1710	-11.65	1.70	67.76	5.05
1880	-12.97	1.57	64.12	6.56
2170	-28.18	1.08	55.98	4.49
2400	-17.06	1.32	75.51	5.39
2600	-15.14	1.42	54.33	4.37
2700	-15.08	1.43	73.62	4.73