



LTE ANTENNA

Antenna LTE Adhesive U25, 2.5 dBi.
SMA(m), RG174/2.5m

AO-ALTE-S2S

SECTRON company offers a wide portfolio of LTE antennas with various versions differing in shape, level of gain and manner of attachment. SECTRON guarantees a compatible connection between an antenna and all antenna adaptors produced by SECTRON.

BENEFITS

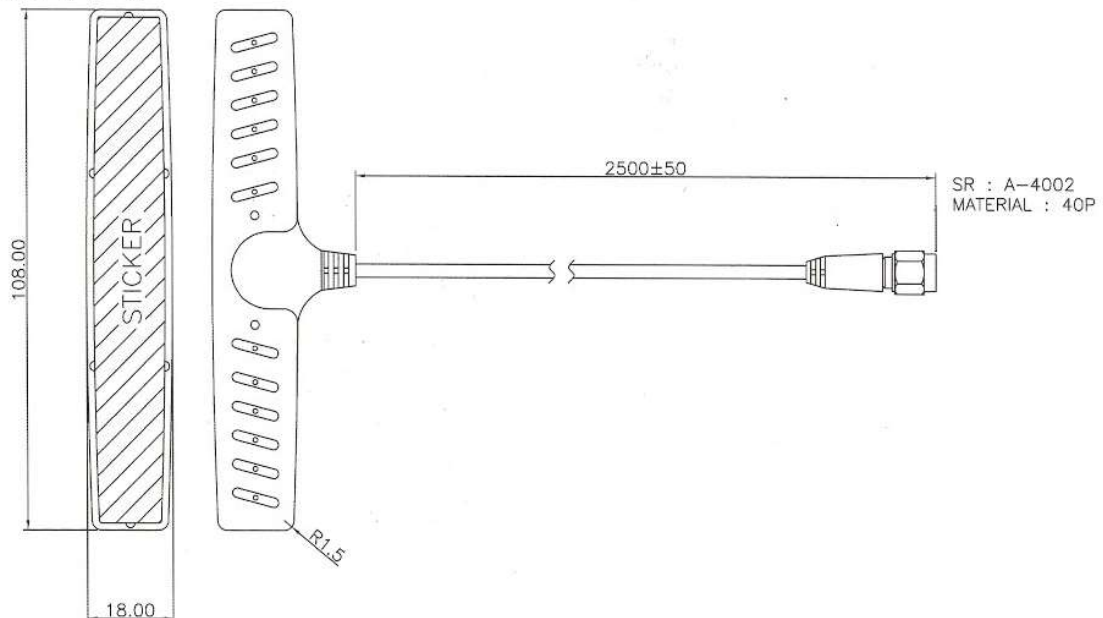
- High frequency range
- Easy installation
- Omnidirectional - suitable for moving devices



Technology	GSM/UMTS/LTE
Frequency bands	700/800/900/1700/1800/1900/2100/2400/2500/2600/2700 MHz
Bandwidth	-
Gain	2.5 dBi
VSWR	<3.8:1
Impedance	50 Ohm
Directivity	Omnidirectional
Beam angle	H 360° V 30°
Polarization	Horizontal
Maximum input power	10W
Power voltage	-
Dimensions	18 x 108 mm
Weight	41.78 g
Operating temperature	-30 to +80 °C
Execution	External
Method of attachment	Adhesive
Cable type	RG174/U
The cable length	2.5 m
Connector type	SMA(m)

DRAWING

SR : B32002
Material : PVC 40P



CONTACTS