



LTE ANTENNA

Antenna GSM/UMTS/LTE,
3 dBi, RG58/U, 4.5m, SMA(m)

AO-ALTE-MI3S

SECTRON company offers a wide portfolio of GSM/UMTS/LTE antennas with various versions differing in shape, level of gain and manner of attachment. SECTRON guarantees a compatible connection between an antenna and all antenna adaptors produced by SECTRON.

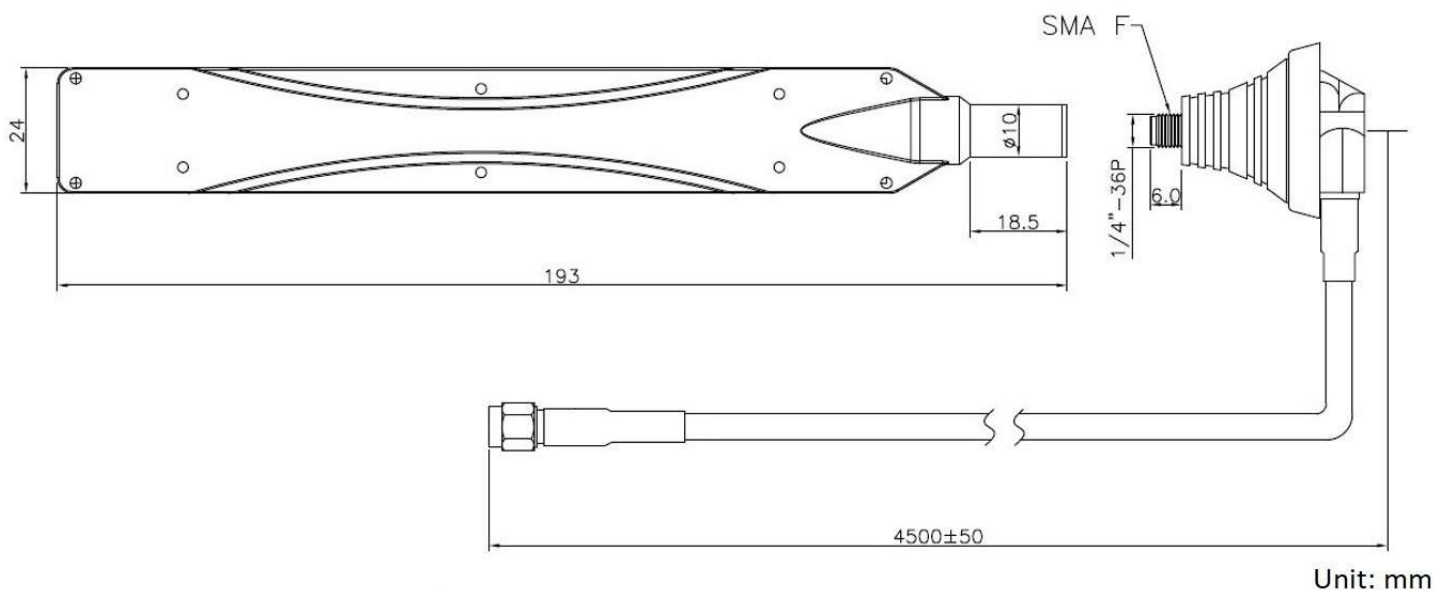


BENEFITS

- Low VSWR
- High frequency range
- Omnidirectional – suitable for moving devices

Technology	GSM/UMTS/LTE
Frequency bands	700/800/900/1700/1800/1900/2100/2500/2600/2700 MHz
Bandwidth	-
Gain	3 dBi
VSWR	<2.0:1
Impedance	50 Ohm
Directivity	Omnidirectional
Beam angle	H 360° V 30°
Polarization	Linear
Maximum input power	10 W
Power voltage	-
Dimensions	32.5 x 220 mm
Weight	218.44 g
Operating temperature	-40 to +60 °C
Execution	External
Method of attachment	Mounting
Cable type	RG58 / U
The cable length	4.5 m
Connector type	SMA(m)
IP Code	Without mounting base IP68 / With mounting base IP65

DRAWING



ALL VARIANTS

Different connector variants or cable lengths are available on request.

CONTACTS

SECTRON s.r.o. Josefa Šavla 1271/12
709 00 Ostrava 9, Czech Republic

WWW.SECTRON.CZ
Tel.: +420 556 621 021