



GSM/UMTS/LTE ANTENNA

Antenna GSM/UMTS/LTE Magnetic,
3-5 dBi, TS9(m), 3m/RG174

AO-ALTE-MG5TS9

SECTRON company offers a wide portfolio of GSM/UMTS/LTE antennas with various versions differing in shape, level of gain and manner of attachment. SECTRON guarantees a compatible connection between an antenna and all antenna adaptors produced by SECTRON.

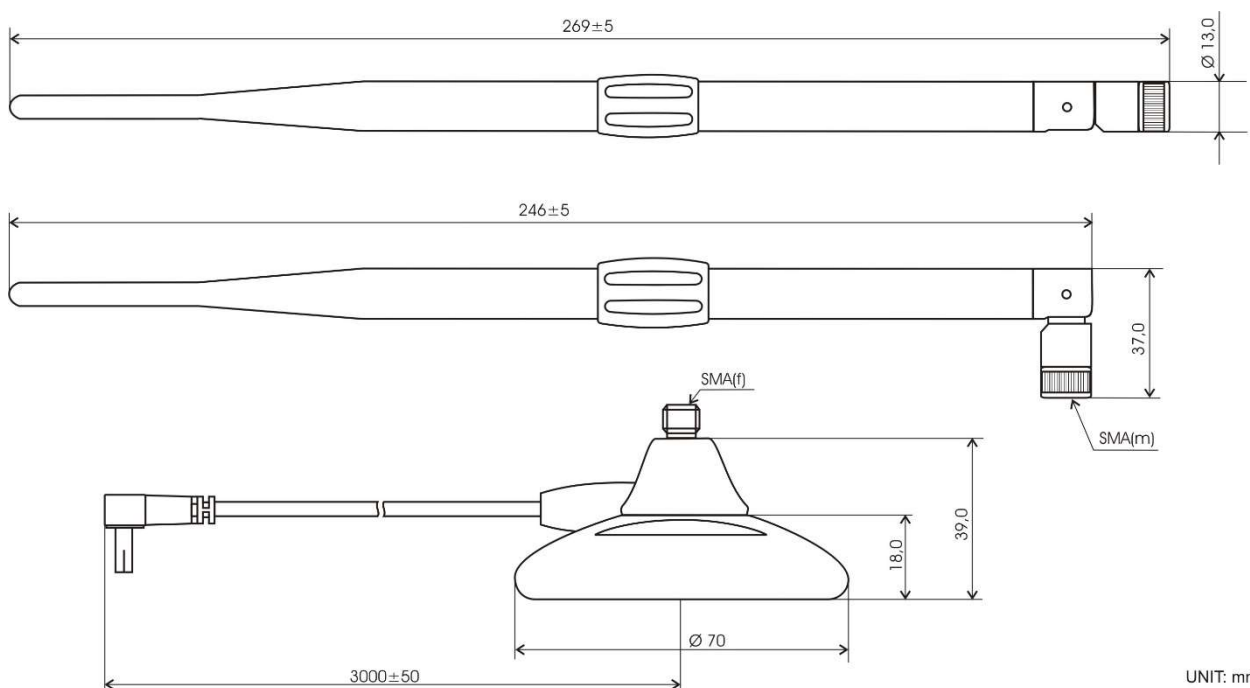


BENEFITS

- Optimized high frequency gain
- Flexible

Technology	GSM/UMTS/LTE
Frequency bands	800/900/1800/2100/2600 MHz
Bandwidth	-
Gain	3-5 dBi
VSWR	<1.7:1
Impedance	50 Ohm
Directivity	Omnidirectional
Beam angle	H 360° V 30°
Polarization	Linear
Maximum input power	10 W
Power voltage	-
Dimensions	90°: 246 x 76; 180°: 308 x Ø 70 mm
Weight	210.18 g
Operating temperature	-30 to +80 °C
Execution	External
Method of attachment	Magnetic
Cable type	RG174/U
The cable length	3 m
Connector type	TS9(m)
IP Code	-
Certification	-

DRAWING



UNIT: mm

Different connector variants or cable lengths are available on request.