



LTE ANTENNA

Antenna GSM/UMTS/LTE 3-5 dBi,
SMA(m), 3m RG174

AO-ALTE-MG5S

SECTRON company offers a wide portfolio of GSM/UMTS/LTE antennas with various versions differing in shape, level of gain and manner of attachment. SECTRON guarantees a compatible connection between an antenna and all antenna adaptors produced by SECTRON.

BENEFITS

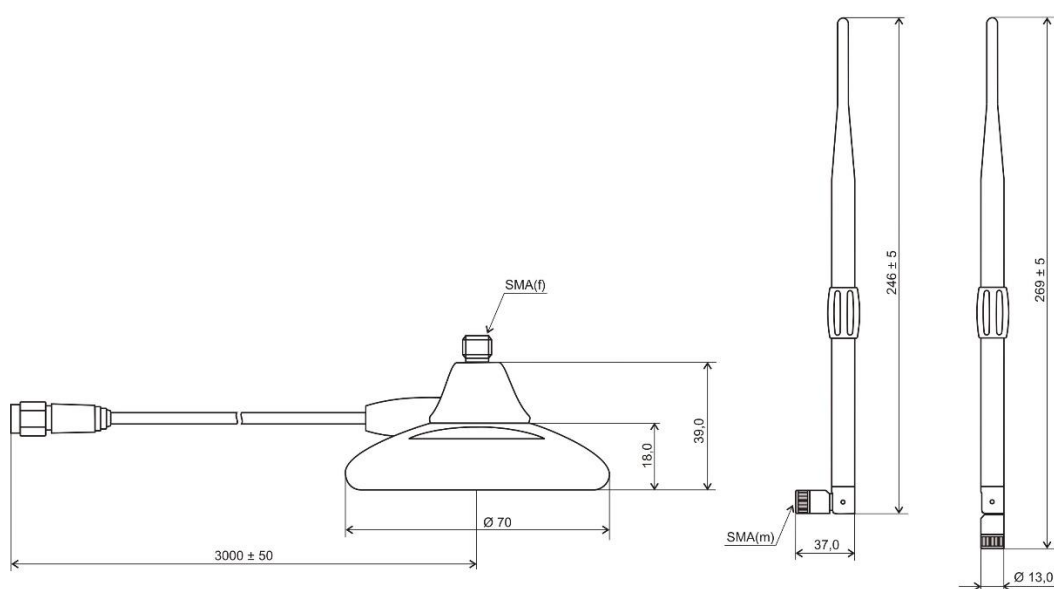
- Low VSWR
- High frequency range
- Adjustable angle



Technology	GSM/UMTS/LTE
Frequency bands	700/800/900/1700/1800/1900/2100/2500/2600/2700 MHz
Bandwidth	-
Gain	3-5 dBi
VSWR	<2.0:1
Impedance	50 Ohm
Directivity	Omnidirectional
Beam angle	H 360° V 30°
Polarization	Linear
Maximum input power	10 W
Power voltage	-
Dimensions	305 x 70 mm
Weight	220 g
Operating temperature	-30 to +80 °C
Execution	External
Method of attachment	Magnetic
Cable type	RG174/U
The cable length	3 m
Connector type	SMA(m)

DRAWING

AO-ALTE-MG5S



UNIT: mm

CONTACTS