



## LTE ANTENNA

Antenna GSM/UMTS/LTE 3-5 dBi,  
SMA(m) hinged, portable

AO-ALTE-MG5SP

SECTRON company offers a wide portfolio of LTE antennas with various versions differing in shape, level of gain and manner of attachment. SECTRON guarantees a compatible connection between an antenna and all antenna adaptors produced by SECTRON.

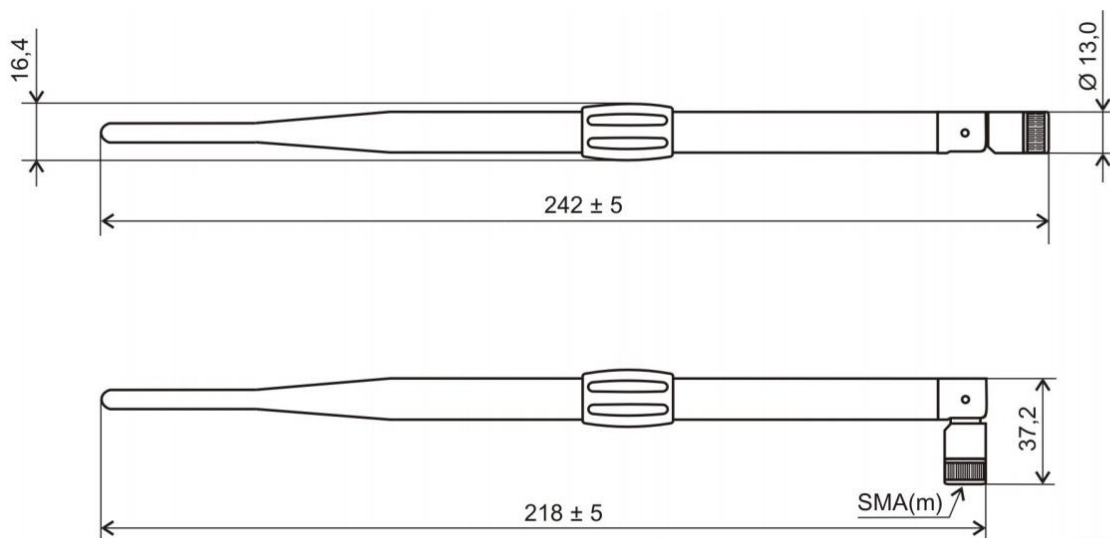
### BENEFITS

- Adjustable angle
- Low VSWR
- No cable required



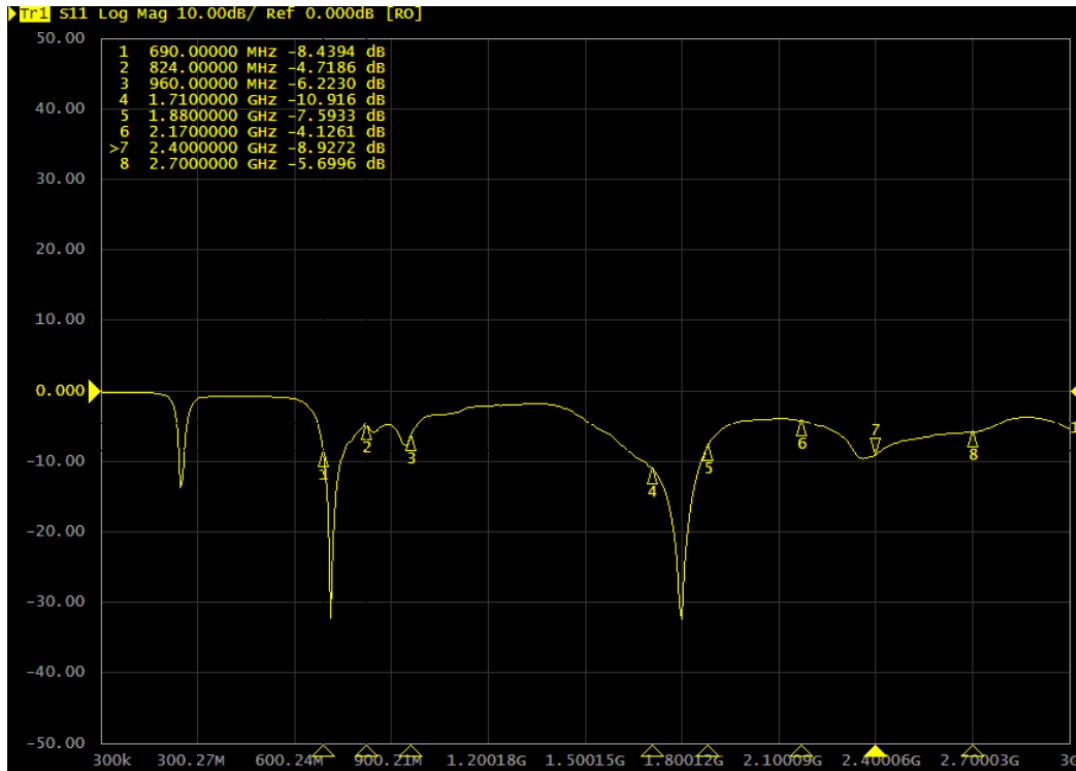
Technology	LTE
Frequency bands	700/800/900/1700/1800/1900/2100/2600/2700 MHz
Bandwidth	-
Gain	3 dBi
VSWR	< 2.0:1
Impedance	50 Ohm
Directivity	Omnidirectional
Beam angle	Attached graphs below
Polarization	Linear
Maximum input power	10 W
Power voltage	-
Dimensions	∅ 16.4 x 240 mm
Weight	38 g
Operating temperature	-20 to +55 °C
Execution	External
Method of attachment	Screw
Cable type	-
The cable length	-
Connector type	SMA(m)

DRAWING

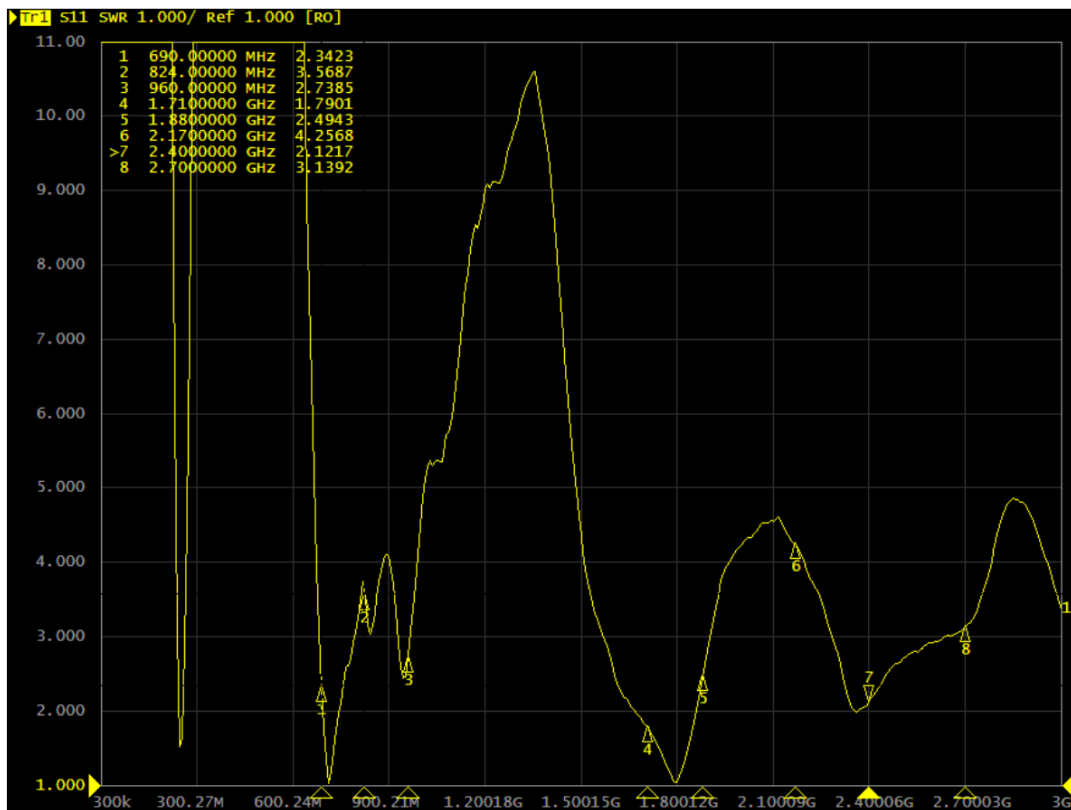


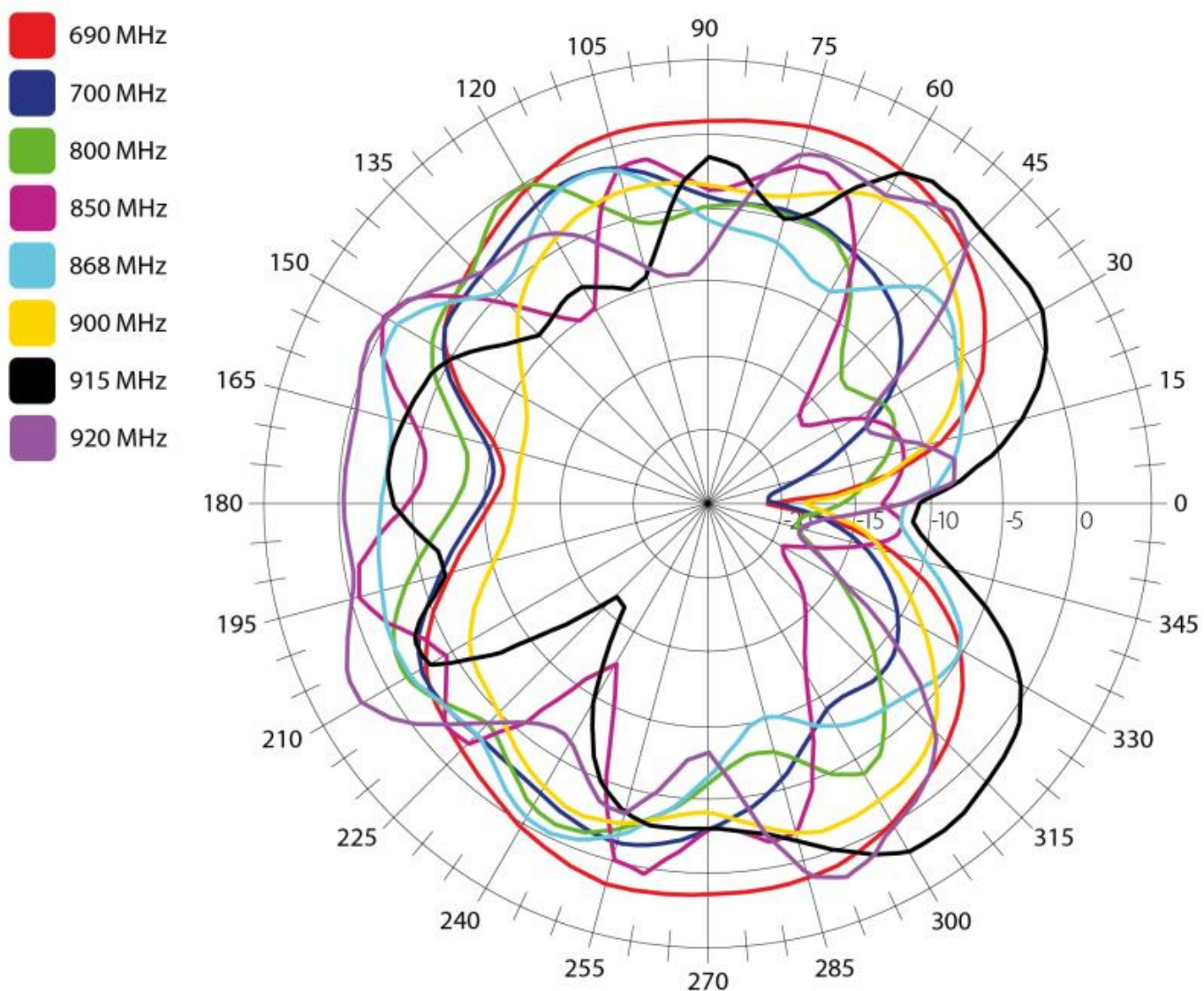
Unit: mm

S<sub>11</sub> – Return loss [dB]



VSWR – Voltage standing wave ratio [-]





## VARIANTS

Different connector variants or cable lengths are available on request

## CONTACTS

SECTRON s.r.o. Josefa Šavla 1271/12  
709 00 Ostrava 9, Czech Republic

WWW.SECTRON.CZ  
Tel.: +420 556 621 021