



# LTE ANTENNA

Antenna LTE Adhesiv 108L,  
2,5 dBi, SMA(m), RG174/3m

AO-ALTE-G108LS

SECTRON company offers a wide portfolio of LTE antennas with various versions differing in shape, level of gain and manner of attachment. SECTRON guarantees a compatible connection between an antenna and all antenna adaptors produced by SECTRON.

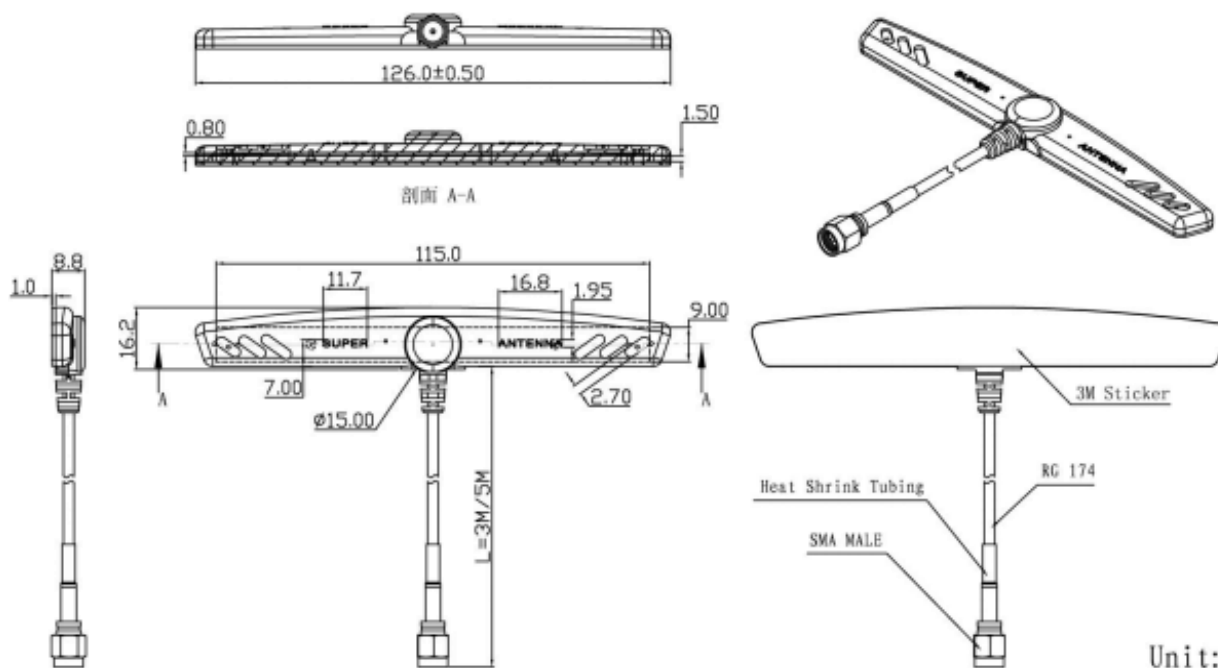


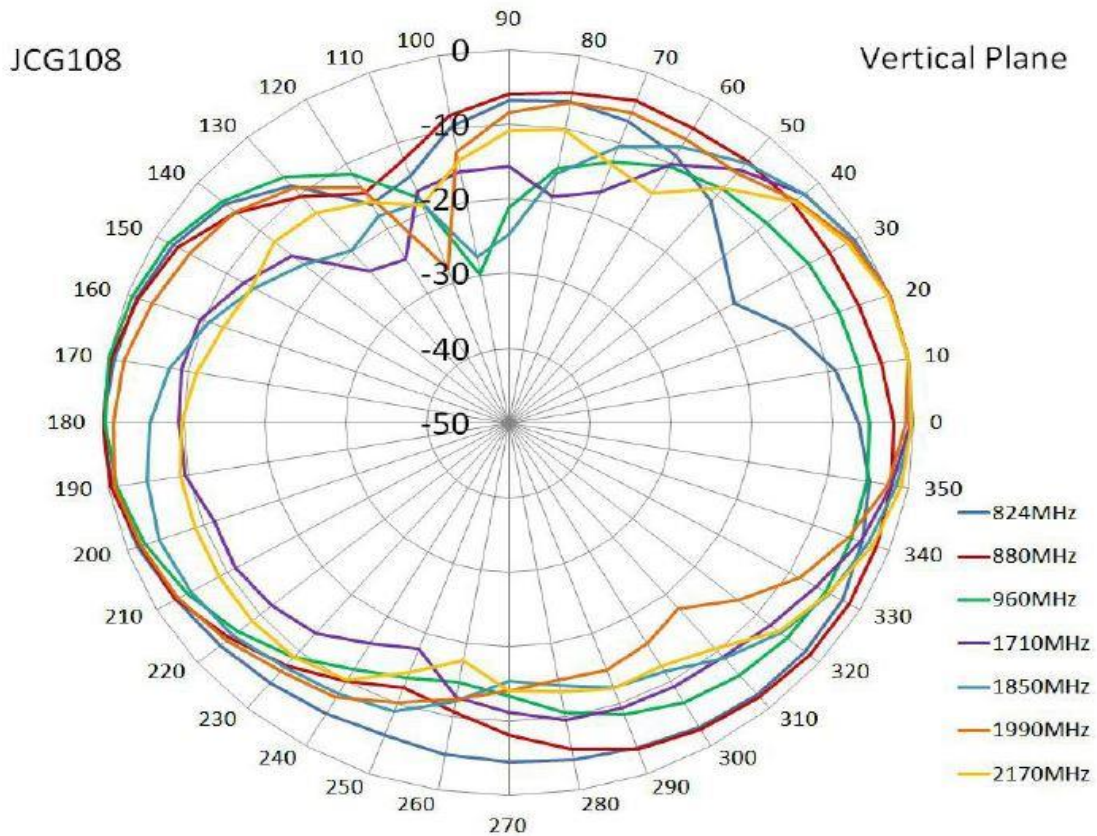
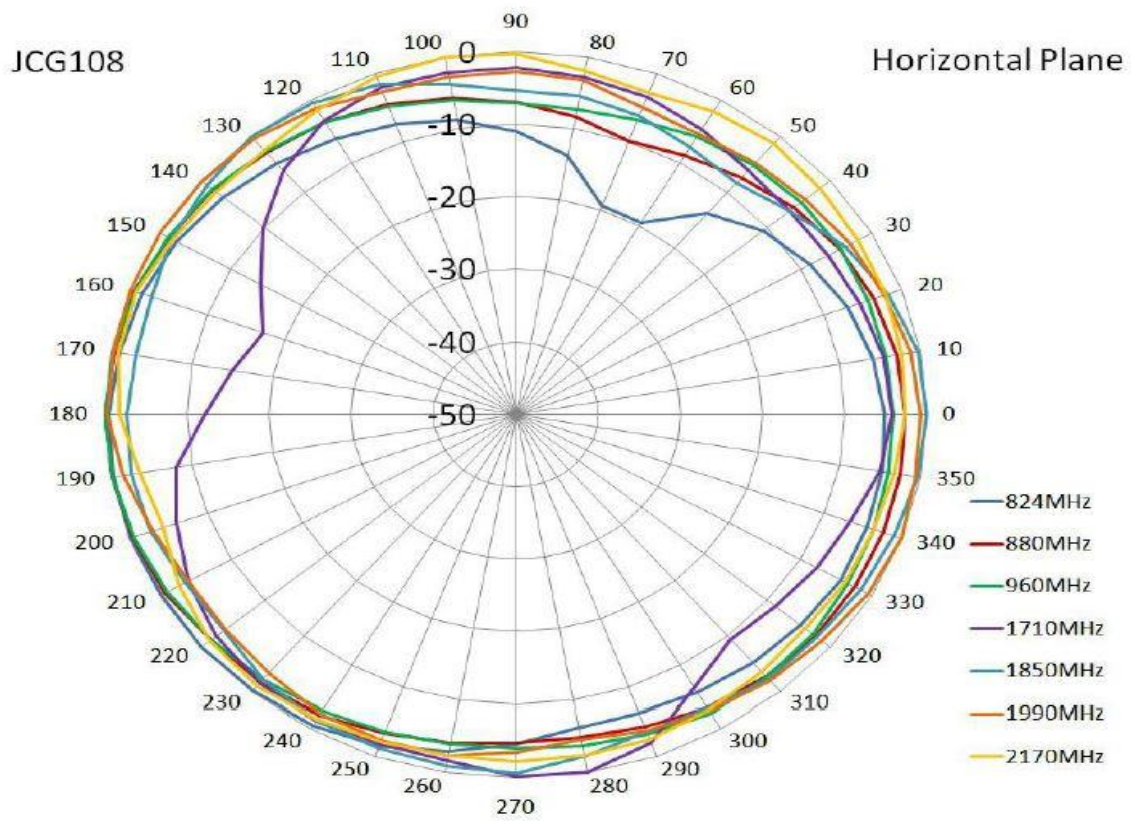
## BENEFITS

- Low VSWR
- Easy installation
- High frequency range

Technology	GSM/UMTS/LTE
Frequency bands	800/900/1700/1800/1900/2100/2600 MHz
Bandwidth	-
Profit	2.5 dBi
VSWR	<2.0:1
Impedance	50 Ohm
Directivity	Omnidirectional
Beam angle	H-360°, V-30°
Polarization	Horizontal
Maximum input power	10 W max.
Power voltage	-
Dimensions	126 x 16.2 x 8,8 mm
Weight	48 g
Operating temperature	-40 až +85 °C
Execution	External
Method of attachment	Adhesive
Cable type	RG174 / U
The cable length	3 m
Connector type	SMA(m)

DRAWING





VARIANT	PART NUMBER

## CONTACTS

SECTRON s.r.o. Josefa Šavla 1271/12  
709 00 Ostrava 9, Czech Republic

WWW.SECTRON.CZ  
Tel.: +420 556 621 021