



LTE ANTENNA

Antenna LTE Magnet Mount 024L,
5 dBi, SMA(m), RG58/3m

AO-ALTE-G024LS

SECTRON company offers a wide portfolio of LTE antennas with various versions differing in shape, level of gain and manner of attachment. SECTRON guarantees a compatible connection between an antenna and all antenna adaptors produced by SECTRON.

BENEFITS

- Low VSWR
- Easy installation
- Multiband antenna

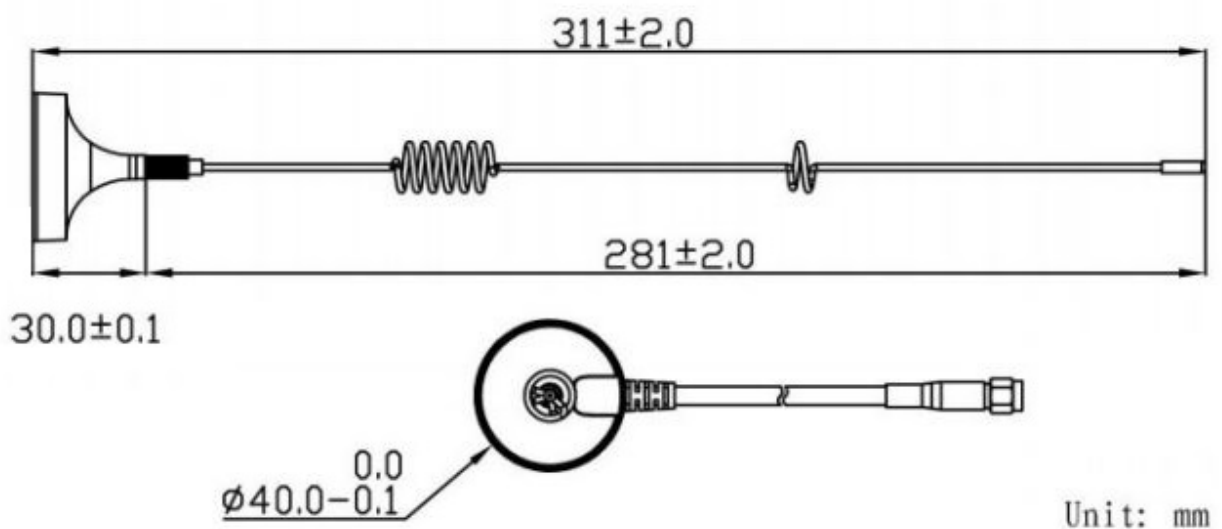


FEATURES

AO-ALTE-G024LS

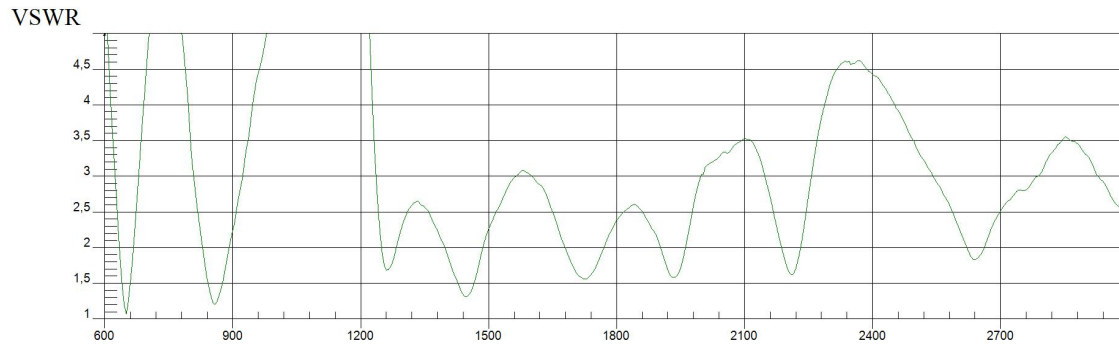
Technology	GSM/UMTS/LTE
Frequency bands	800~900/1700~2100/2600 MHz
Bandwidth	-
Gain	5 dBi
VSWR	<2.0:1
Impedance	50 Ohm
Directivity	Omnidirectional
Beam angle	Attached graphs bellow
Polarization	Linear
Maximum input power	10 W
Dimensions	Ø40 x 311 mm
Weight	123.06 g
Operating temperature	-40 to +85 °C
Execution	External
Method of attachment	Magnet Mount
Cable type	RG58/U
The cable length	3 m
Connector type	SMA (m)
Certification	RoHS

DRAWING



Unit: mm

VSWR - Voltage standing wave ratio [-]

VSWR
AO-AUMTS-G024LS15Date: 2020/07/23
Time: 09:29Frequency(600 - 3000 MHz)
Resolution: 521
Cal: ONIIM: OFF
Keysight
SN: CN0132000230

SUMMARY

Frequency [MHz]	S_{11} [dB]	VSWR [-]
698	-7.81	2.37
824	-15.74	1.39
868	-18.49	1.27
960	-10.23	1.89
1710	-16.54	1.35
1880	-14.72	1.45
1990	-14.26	1.48
2170	-10.09	1.91
2690	-11.91	1.68

VARIANTS

Different connector variants or cable lengths are available on request.

CONTACTS

SECTRON s.r.o. Josefa Šavla 1271/12
709 00 Ostrava 9, Czech Republic

WWW.SECTRON.CZ
Tel.: +420 556 621 020