



GSM/UTMETS/LTE ANTENNA

Antenna GSM/UMTS/LTE
Magnetic 016, 2 dBi, MCX(m),
RG174/3m

AO-ALTE-G016LM

SECTRON company offers a wide portfolio of GSM/UMTS/LTE antennas with various versions differing in shape, level of gain and manner of attachment. SECTRON guarantees a compatible connection between an antenna and all antenna adaptors produced by SECTRON.

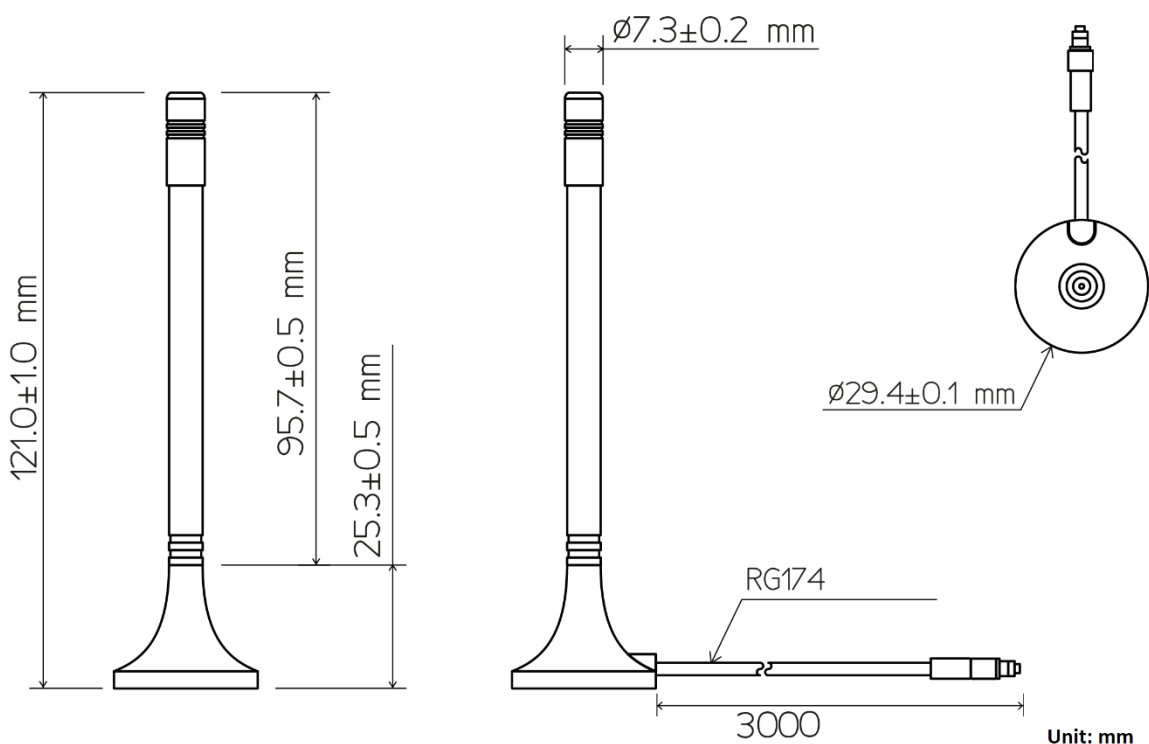


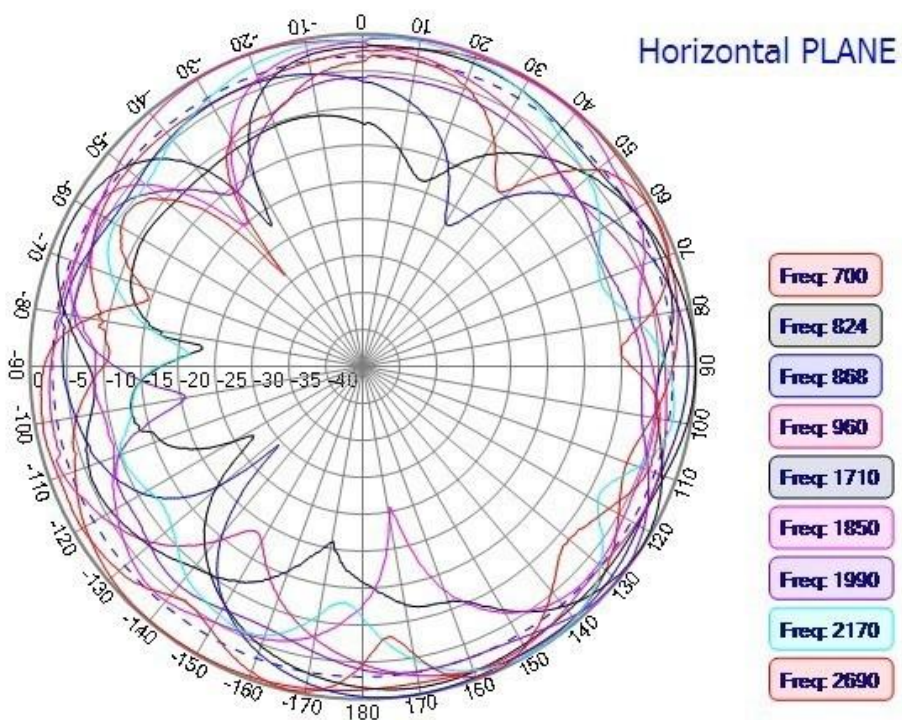
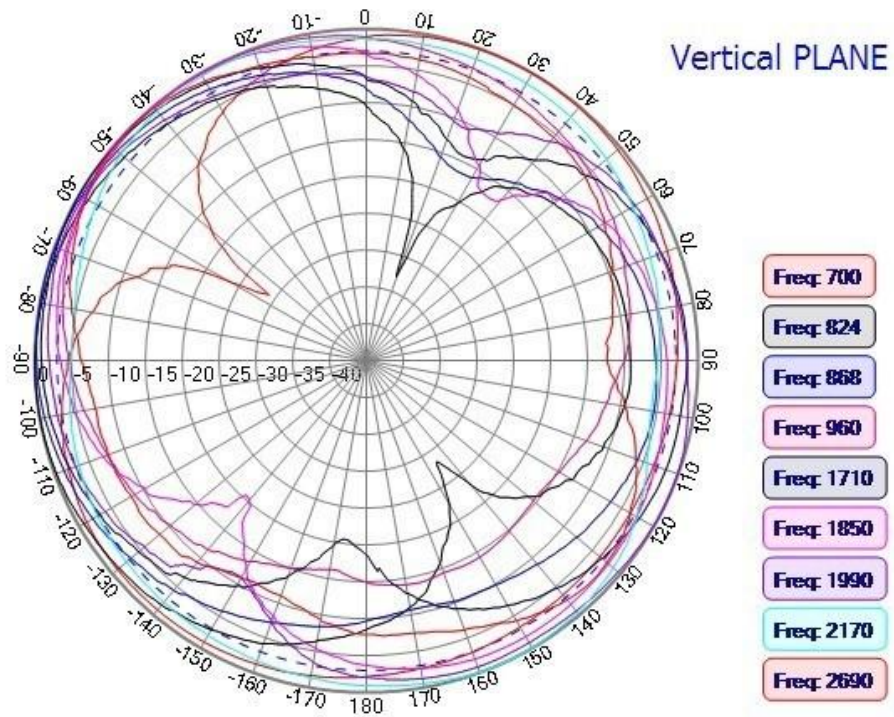
BENEFITS

- Low VSWR
- Easy installation
- Omnidirectional - suitable for moving devices

Technology	GSM/UMTS/LTE
Frequency bands	700/800/868/1800/1900/2100/2600 MHz
Bandwidth	-
Gain	2 dBi
VSWR	<2.0:1
Impedance	50 Ohm
Directivity	Omnidirectional
Beam angle	H 360° V 30°
Polarization	Linear
Maximum input power	10 W
Power voltage	-
Dimensions	∅ 29.4 X 121 mm
Weight	46.41 g
Operating temperature	-40 to +85 °C
Execution	External
Method of attachment	Magnetic
Cable type	RG174/U
The cable length	3 m
Connector type	MCX(m)

DRAWING





CONTACTS

SECTRON s.r.o. Josefa Šavla 1271/12
709 00 Ostrava 9, Czech Republic

WWW.SECTRON.CZ
Tel.: +420 556 621 020