



GSM/UMTS/LTE ANTENNA

Antenna GSM/UMTS/LTE
FLAT Stick 90°/180°,
690-2700 MHz, 3 dBi, SMA(m)

AO-ALTE-FSMAK3

SECTRON company offers a wide portfolio of GSM/UMTS/LTE antennas with various versions differing in shape, level of gain and manner of attachment. SECTRON guarantees a compatible connection between an antenna and all antenna adaptors produced by SECTRON.

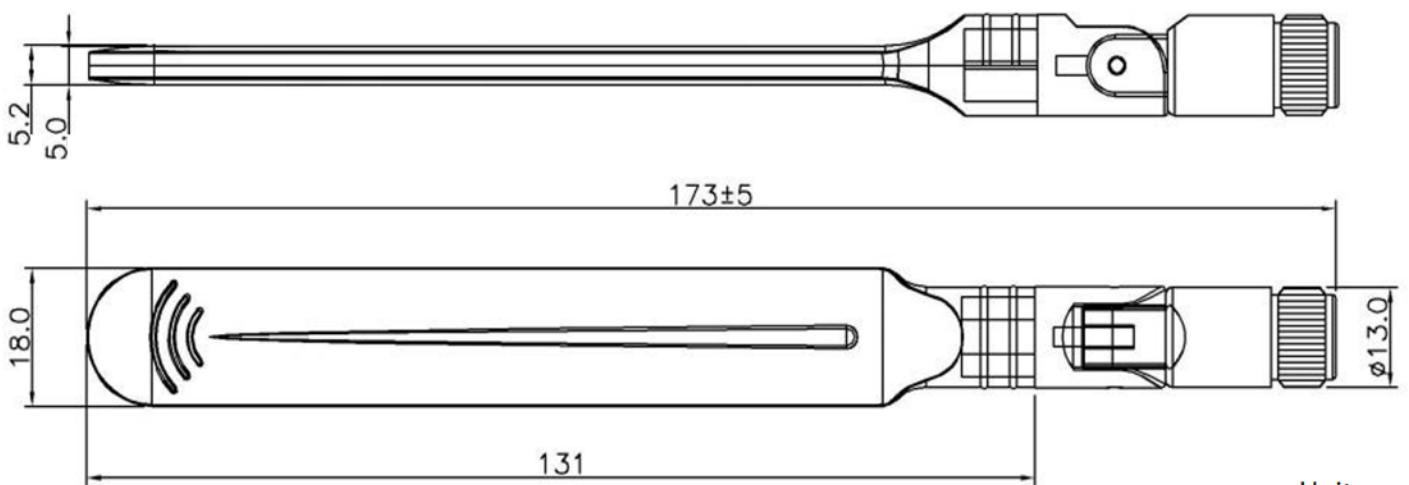


BENEFITS

- Omnidirectional - suitable for moving devices
- Adjustable angle
- No cable required

Technology	GSM/UMTS/LTE
Frequency bands	690/800/900/1800/1900/2100/2300/2400/2500/2600/2700 MHz
Bandwidth	-
Gain	3 dBi
VSWR	<2.0:1
Impedance	50 Ohm
Directivity	Omnidirectional
Beam angle	H 360° V 30°
Polarization	Linear
Maximum input power	10 W
Power voltage	-
Dimensions	173 x 18 mm
Weight	23 g
Operating temperature	-30°C to +90 °C
Execution	External
Method of attachment	Screw
Cable type	-
The cable length	-
Connector type	SMA(m)

DRAWING

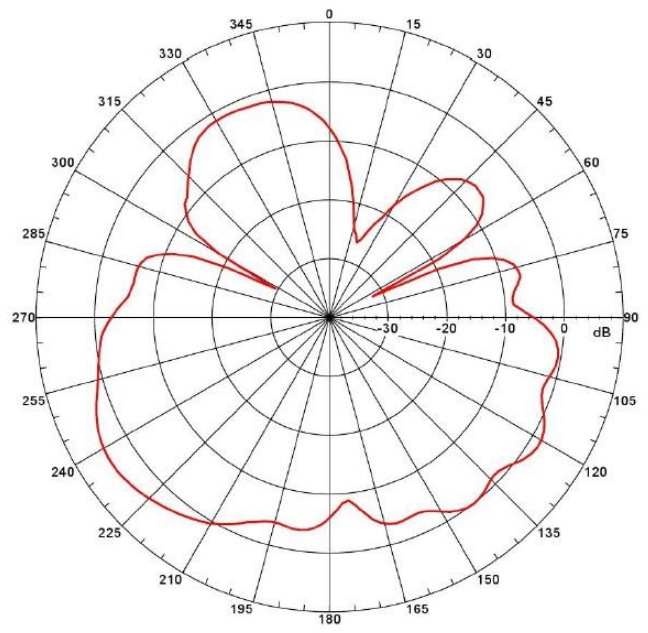
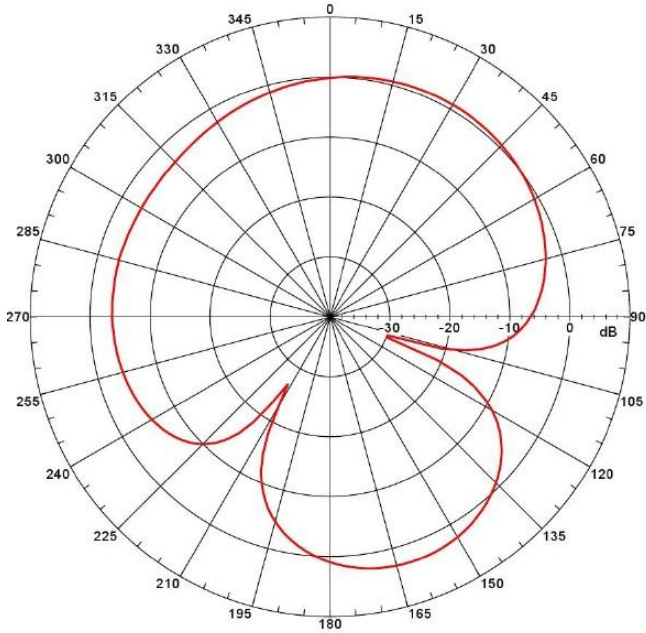


Unit: mm

H-plane

1800 MHz

E-plane



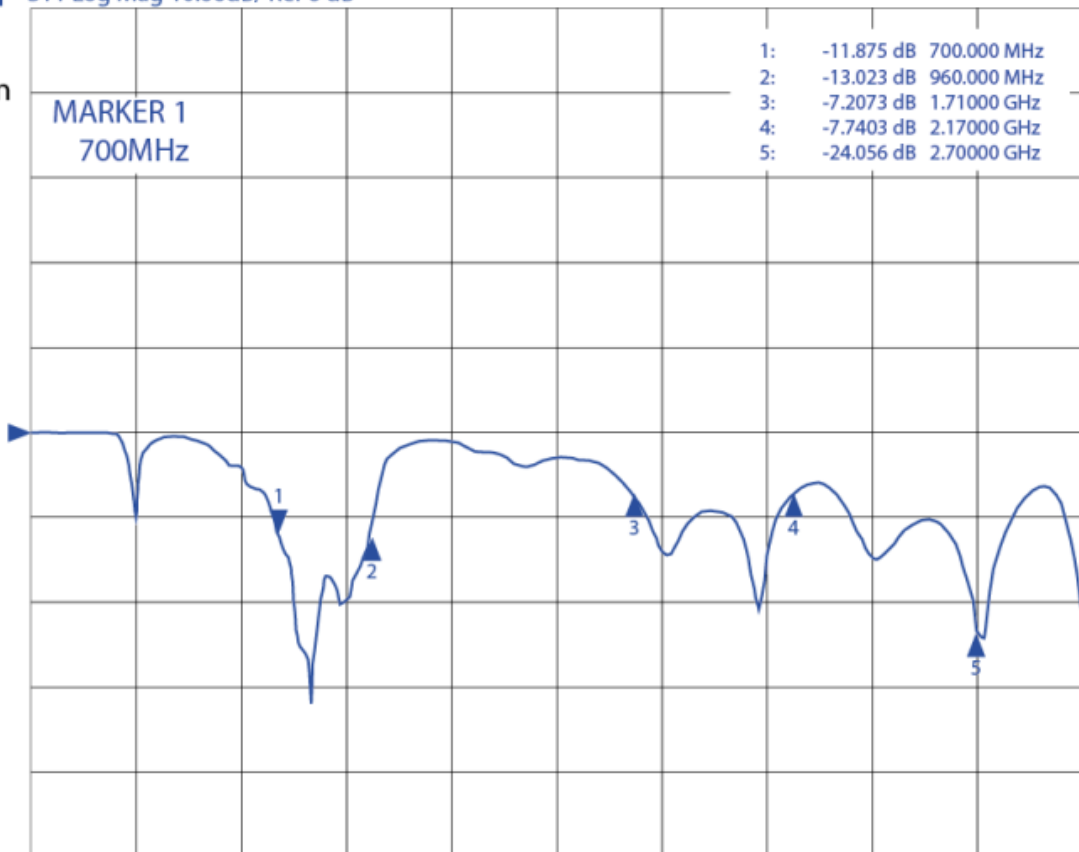
CHI S11 Log Mag 10.00dB/ Ref 0 dB

PRm

Cor

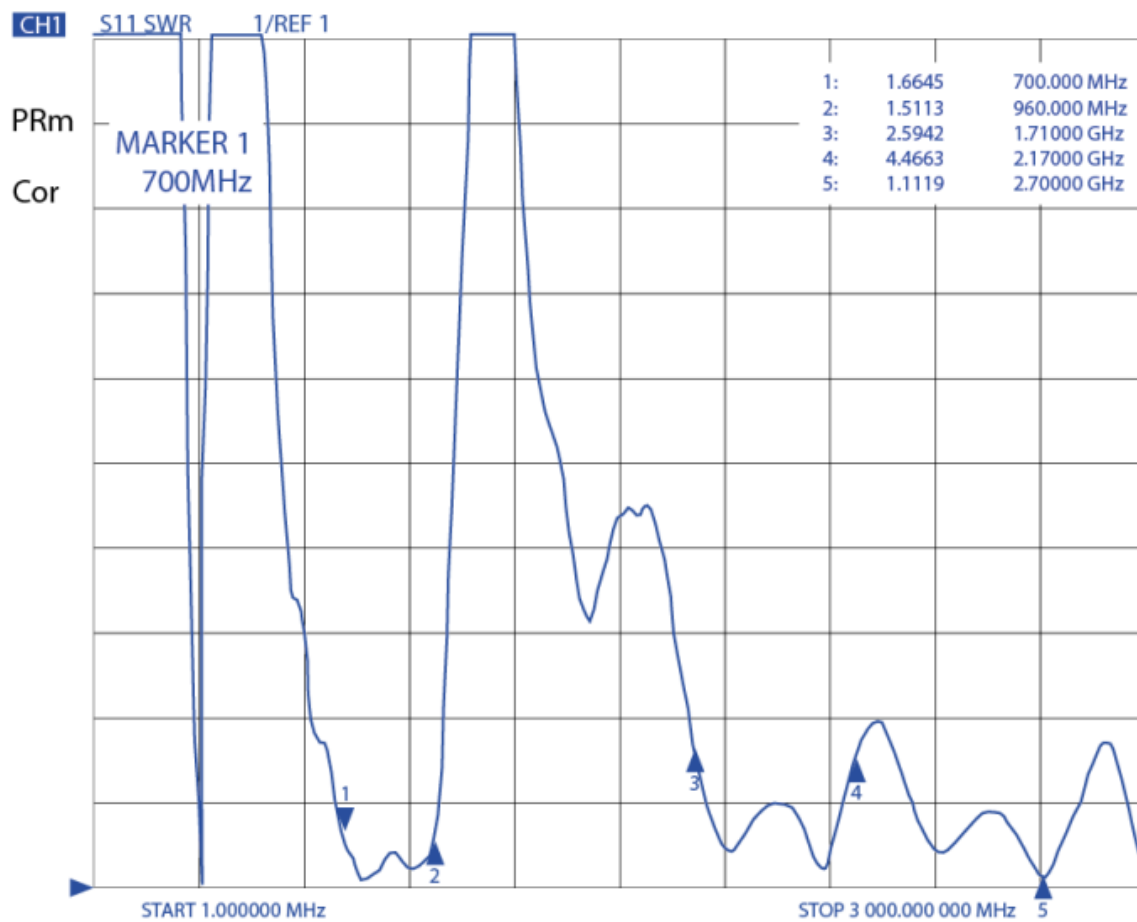
MARKER 1
700MHz

1:	-11.875 dB	700.000 MHz
2:	-13.023 dB	960.000 MHz
3:	-7.2073 dB	1.71000 GHz
4:	-7.7403 dB	2.17000 GHz
5:	-24.056 dB	2.70000 GHz



START 1.000000 MHz

STOP 3 000.000 000 MHz



CONTACTS

SECTRON s.r.o. Josefa Šavla 1271/12
709 00 Ostrava 9, Czech Republic

WWW.SECTRON.CZ
Tel.: +420 556 621 021