



## GSM /UMTS/LTE ANTENNA

Antenna LTE MIMO Magnetic Mount,  
3 dBi, 2x SMA(m), 2x RG174/3m

AO-ALTE-44S

SECTRON company offers a wide portfolio of GSM/  
/UMTS/LTE antennas with various versions differing in  
shape, level of gain and manner of attachment.  
SECTRON guarantees a compatible connection  
between an antenna and all antenna adaptors  
produced by SECTRON.

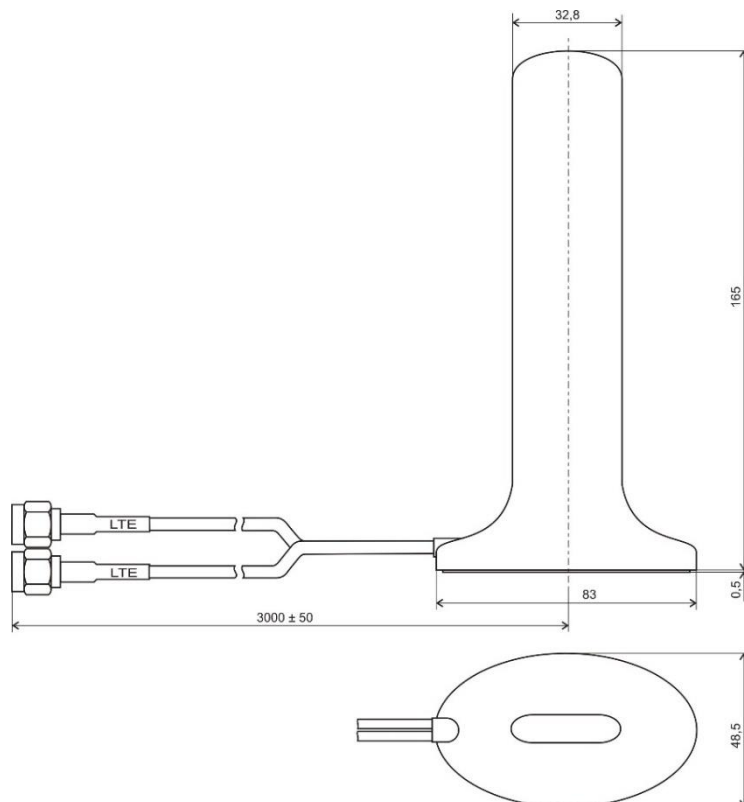


### BENEFITS

- Easy installation
- High frequency range
- Compact design
- LTE MIMO technology

Technology	GSM/UTMS/LTE
Frequency bands	700/960/900/1710/2170/2500/2700 MHz
Bandwidth	-
Gain	3 dBi
VSWR	2.0:1
Impedance	50 Ohm
Directivity	Omnidirectional
Beam angle	H 360° V 30°
Polarization	Linear
Maximum input power	5 W
Power voltage	-
Dimensions	Ø 83 x 165 mm
Weight	-
Operating temperature	-20 to +60 °C
Execution	External
Method of attachment	Magnetic
Cable type	2 x RG174
The cable length	3 m
Connector type	2x SMA (m)

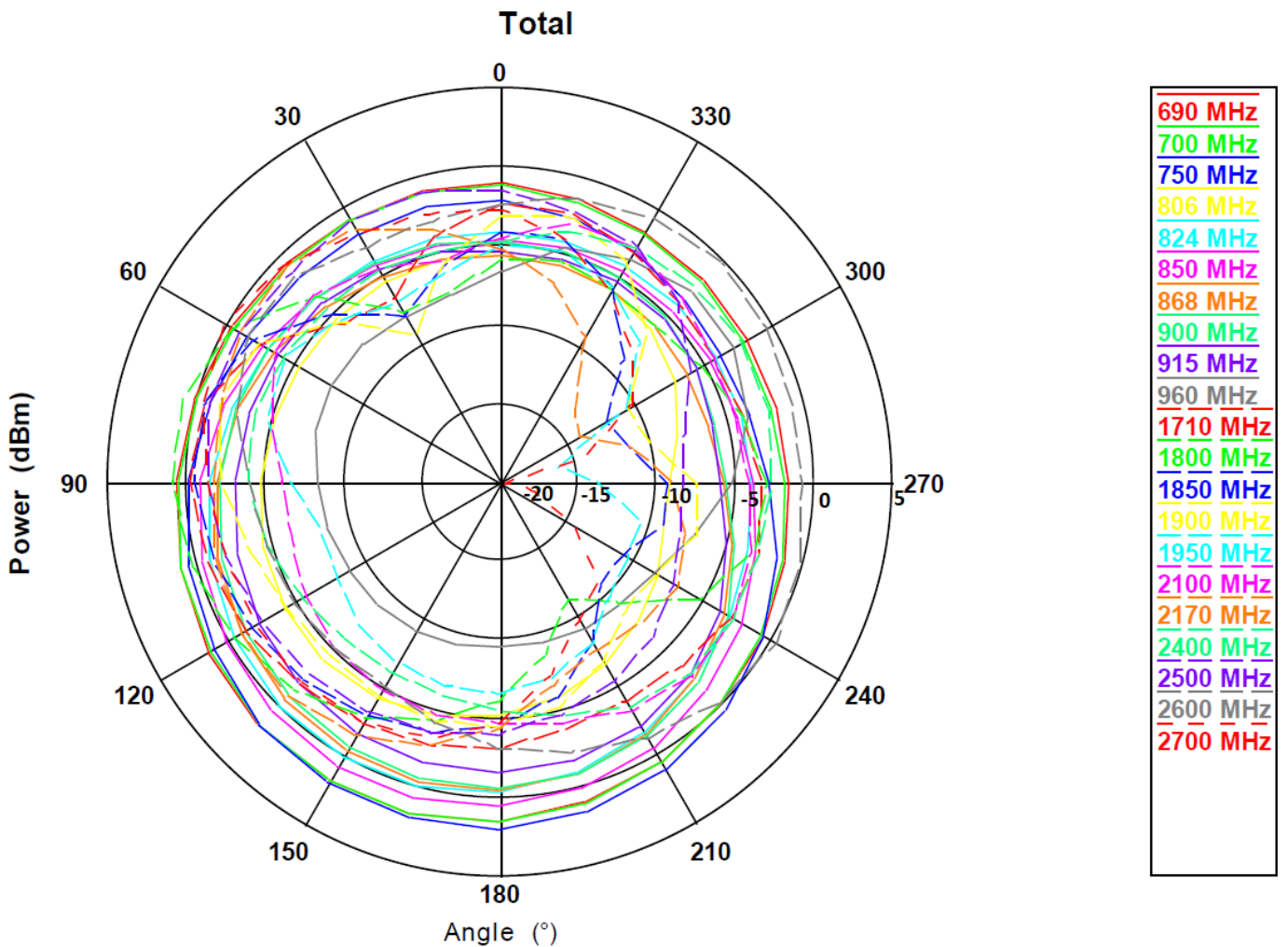
DRAWING



UNIT: mm

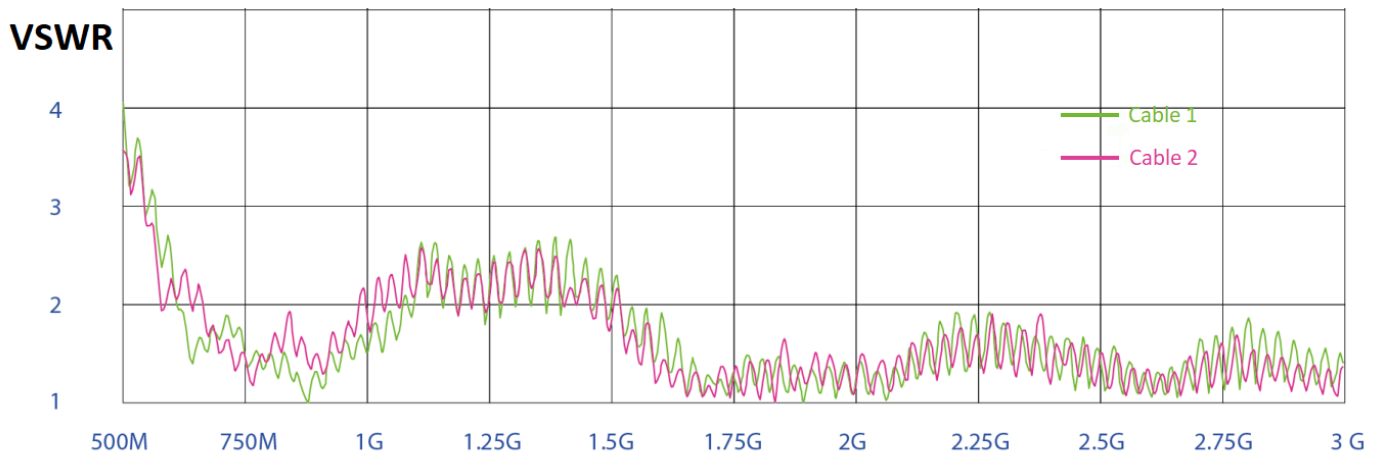
MEASURED GRAPHS

Frequency [MHz]	Return Loss – cable 1 [dB]	Return Loss – cable 2 [dB]	VSWR cable 1	VSWR cable 2	Efficiency [%]	Gain [dBi]
880	-22.8	-12.2	1.1	1.6	67.93	2.37
960	-11.0	-9.7	1.7	1.9	50.25	1.61
1710	-21.3	-20.5	1.1	1.2	23.56	-0.08
1880	-14.7	-19.2	1.4	1.2	45.94	0.98
2170	-11.4	-17.4	1.7	1.3	33.54	0.34
2600	-19.9	-15.5	1.2	1.4	37.27	-0.15
2700	-14.4	-23.2	1.4	1.1	47.65	0.95



**RADIATION PATTERN - MEASURED**

### VSWR - MEASURED



### VARIANTS

Different connector variants or cable lengths are available on request.

### CONTACTS