



## GSM/GPS ANTENNA

Antenna GSM/GPS  
Mounting CAP, SMA/SMB,  
RG174/5m

AO-AKOM-CSB

SECTRON company offers a wide portfolio of GSM/GPS antennas with various versions differing in shape, level of gain and manner of attachment. SECTRON guarantees a compatible connection between an antenna and all antenna adaptors produced by SECTRON.

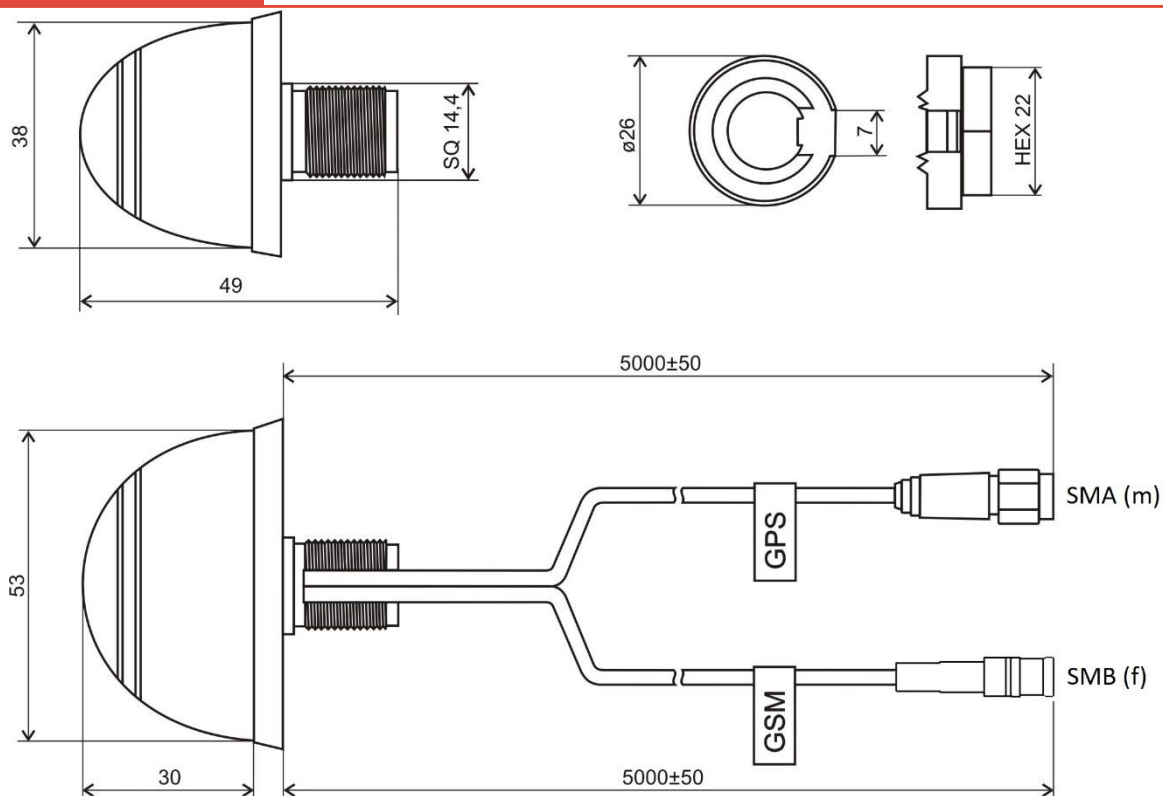


### BENEFITS

- Low VSWR
- Environmental resistance

Technology	GSM/GPS
Frequency bands	900/1800/1900/2100/1575.42 MHz
Bandwidth	- / 10 MHz
Gain	0 / 30 dBi
VSWR	<1.8:1 / <2.0:1
Impedance	50 Ohm
Directivity	Omnidirectional
Beam angle	H 360° V 30°
Polarization	Linear/R.H.C.P.
Maximum input power	10 W
Power voltage	+2.7 V to +5.5 V DC
Dimensions	53 x 38 x 30 mm
Weight	187 g
Operating temperature	-30 to +90 °C
Execution	External
Method of attachment	Mounting
Cable type	RG 174/U
The cable length	5 m/5 m
Connector type	SMB(f)/SMA(m)

DRAWING



UNIT: mm

Different connector variants or cable lengths are available on request.