



## GSM ANTENNA

Antenna GSM Adhesive FLAT,  
2.5 dBi, FME(f), RG174/5m

AO-AGSM-SATF2

SECTRON company offers a wide portfolio of GSM antennas with various versions differing in shape, level of gain and manner of attachment. SECTRON guarantees a compatible connection between an antenna and all antenna adaptors produced by SECTRON.

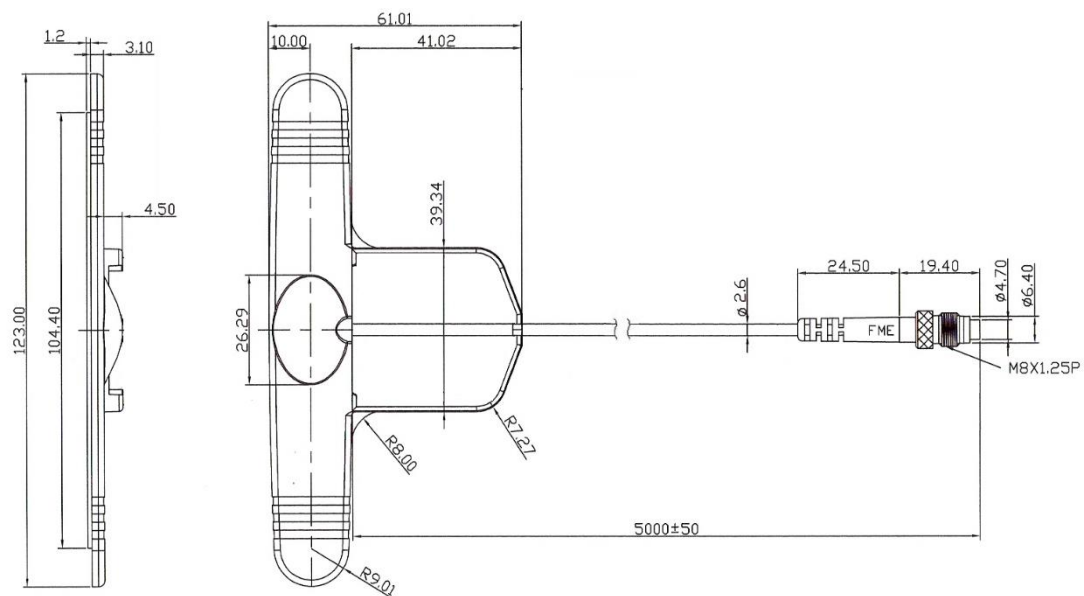


### BENEFITS

- Low VSWR
- Easy installation

|                       |                   |
|-----------------------|-------------------|
| Technology            | GSM               |
| Frequency bands       | 900/1800 MHz      |
| Bandwidth             | -                 |
| Gain                  | 2.5 dBi           |
| VSWR                  | <1.8:1            |
| Impedance             | 50 Ohm            |
| Directivity           | Omnidirectional   |
| Beam angle            | H 360° V 30°      |
| Polarization          | Linear            |
| Maximum input power   | 10 W              |
| Power voltage         | -                 |
| Dimensions            | 123 x 61 x 4.5 mm |
| Weight                | 79.82 g           |
| Operating temperature | -30 to +90 °C     |
| Execution             | External          |
| Method of attachment  | Adhesive          |
| Cable type            | RG174/U           |
| The cable length      | 5 m               |
| Connector type        | FME(f)            |

## DRAWING



## CONTACTS