



## GSM ANTENNA

Antenna GSM Adhesiv 25,  
2.5 dBi, U.FL, 30 cm

AO-AGSM-SA1U30

SECTRON company offers a wide portfolio of GSM antennas with various versions differing in shape, level of gain and manner of attachment. SECTRON guarantees a compatible connection between an antenna and all antenna adaptors produced by SECTRON.

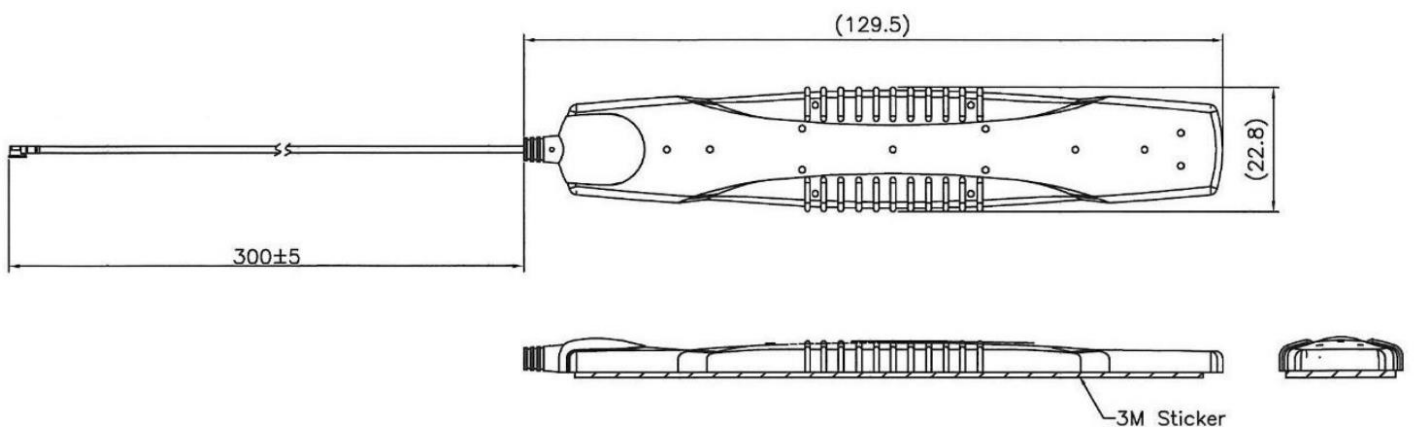
### BENEFITS

- Suitable for moving devices
- Low VSWR
- Adhesive mounting



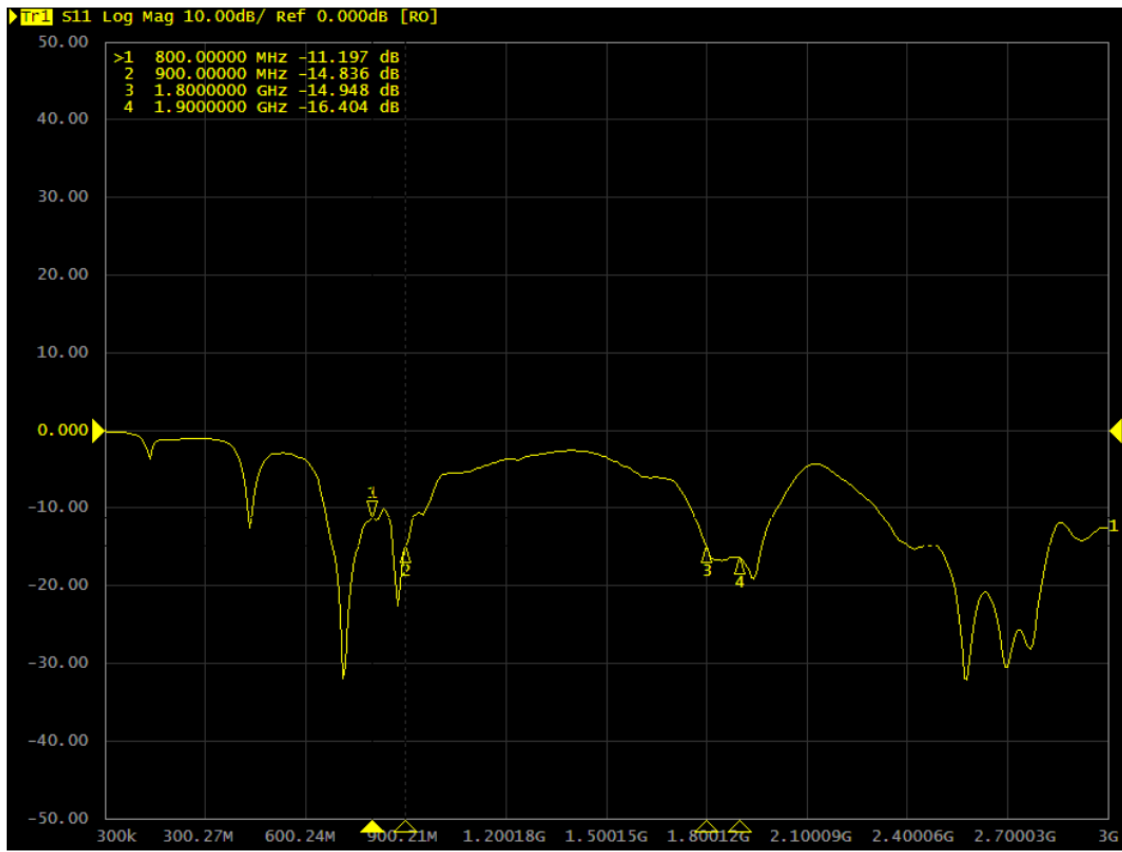
Technology	GSM
Frequency bands	800/1900 MHz
Bandwidth	-
Gain	2.5 dBi
VSWR	<1.4:1
Impedance	50 Ohm
Directivity	Omnidirectional
Beam angle	Attached graphs bellow
Polarization	Linear
Maximum input power	-
Power voltage	-
Dimensions	129.5 x 22.8 mm
Weight	20.51 g
Operating temperature	-30 to +80 °C
Execution	External
Method of attachment	Adhesive
Cable type	1.13 RF cable
The cable length	0.3 m
Connector type	U.FL
Certificate	RoHS, ISO 9001, ISO 14001

DRAWINGS

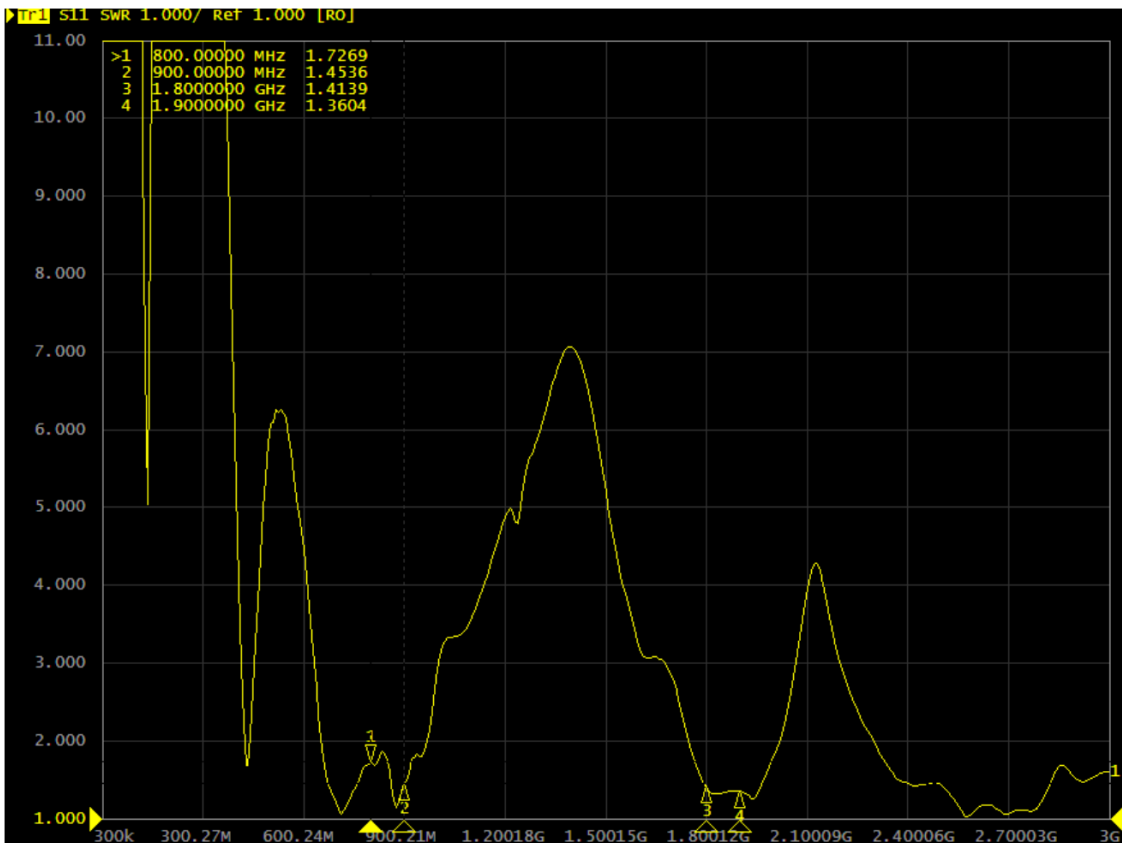


Unit: mm

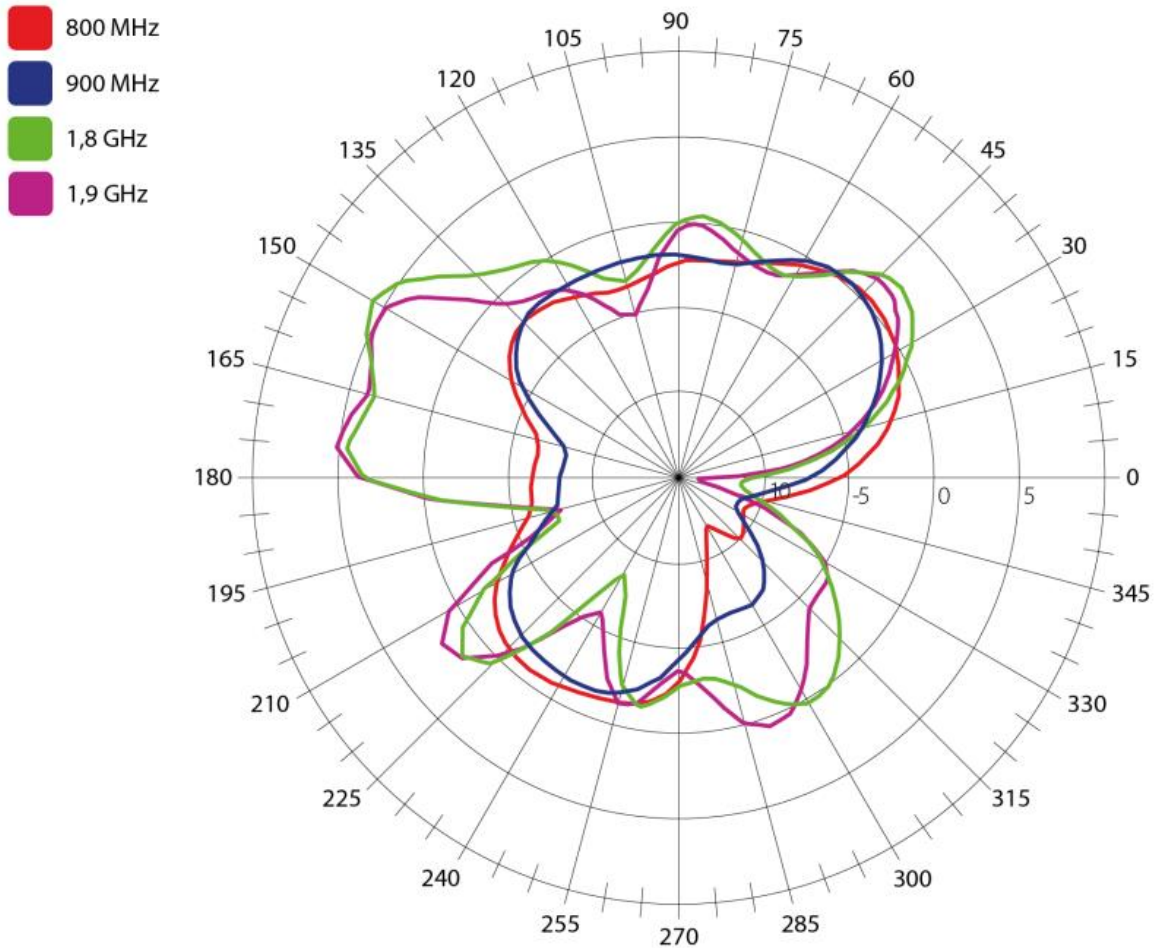
$S_{11}$  – Return loss [dB]



VSWR – Voltage standing wave ratio [-]



## Radiation pattern



## VARIANTS

Different connector variants or cable lengths are available on request

## CONTACTS

SECTRON s.r.o. Josefa Šavla 1271/12  
709 00 Ostrava 9, Czech Republic

WWW.SECTRON.CZ  
Tel.: +420 556 621 021