



GSM ANTENNA

Antenna GSM Adhesive 25, 2.5 dBi,
SMA(m), RG174U/3m

AO-AGSM-SA1S

SECTRON company offers a wide portfolio of GSM antennas with various versions differing in shape, level of gain and manner of attachment. SECTRON guarantees a compatible connection between an antenna and all antenna adaptors produced by SECTRON.

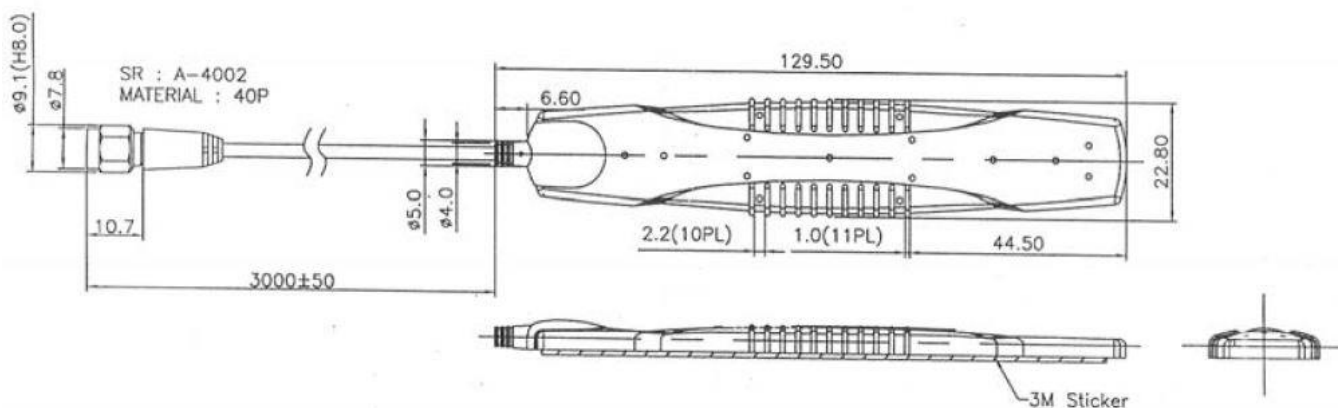
BENEFITS

- Low VSWR
- Easy installation
- Omnidirectional - suitable for moving devices

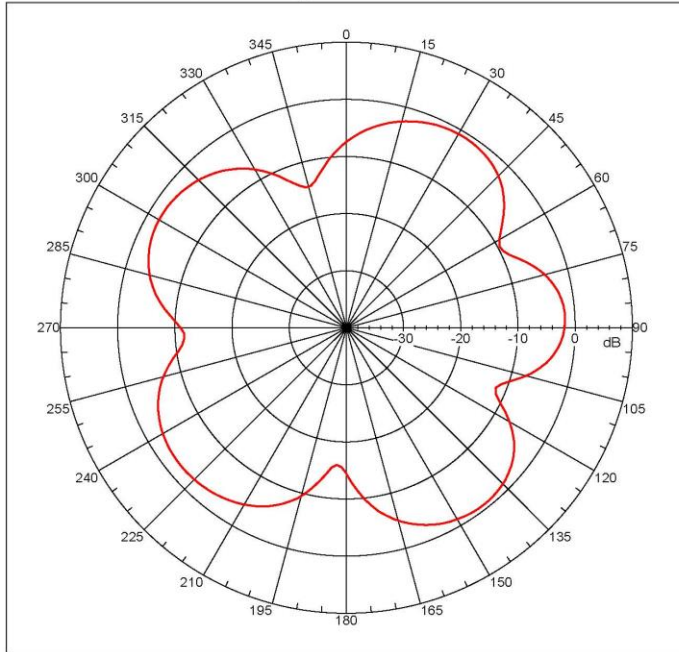


Technology	GSM
Frequency bands	800/900/1700/1800 MHz
Bandwidth	-
Gain	2.5 dBi
VSWR	<2.0:1
Impedance	50 Ohm
Directivity	Omnidirectional
Beam angle	H 360° V 30°
Polarization	Vertical
Maximum input power	10 W
Power voltage	-
Dimensions	129.5 x 22.8 x 6.7 mm
Weight	52.75 g
Operating temperature	-30 to +80 °C
Execution	External
Method of attachment	Adhesive
Cable type	RG174/U
The cable length	3 m
Connector type	SMA(m)

DRAWING

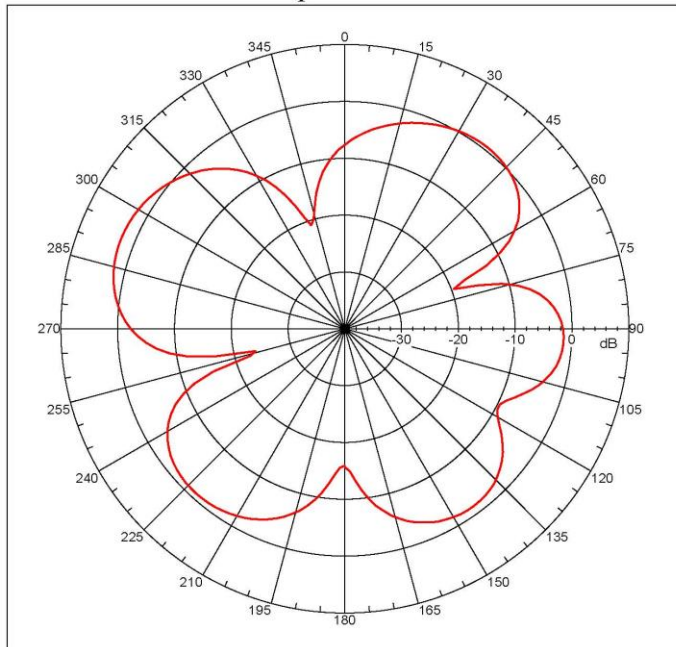


Far-field amplitude of AG-08.nsi



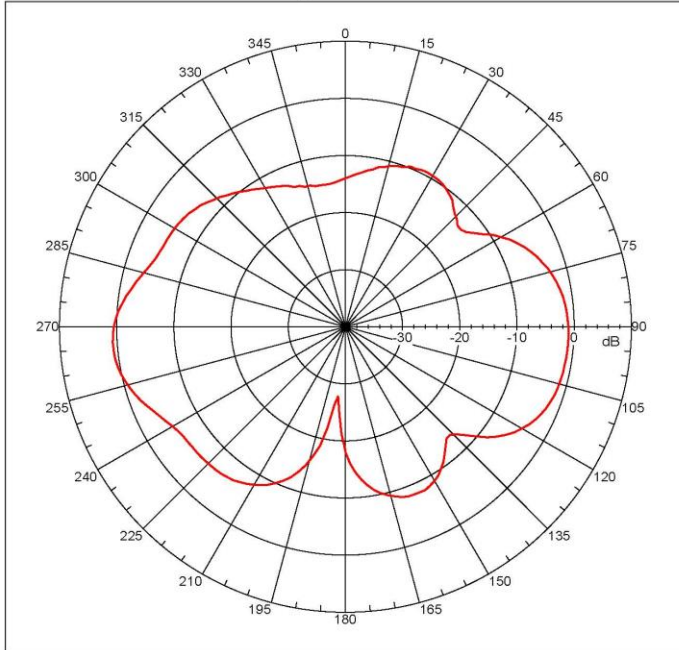
Far-field amplitude, Eprincipal: Linear, Tau = 0.000 deg
 Gain = -0.78415 dBi
 Max far-field (global) = -41.71016 dB, Max far-field (plot) =
 -41.7102 dB
 Normalization: Reference, Network offset = 0.000 dB
 Vpeak at: 141.99999 deg, Vpeak at: 0.000 deg
 Plot centering: On
 AG-08E-Plane cut scan. Feeding cable at bottom side around RJC
 beam covered by absorber to reduce possible coupling with
 AUT.
 NSI2000 V4.0.124, Filename: C:\nsi2000\T.Y.HUS\PF-28A\AG-08.nsi
 Measurement date/time: 5/17/2007 4:32:48 PM, Filetype: NSI-97
 Far-field Cut Analysis:
 Avg value: -4.846 dB
 -3. dB beam width: 35.82 deg
 -6. dB beam width: 48.73 deg
 -10. dB beam width: 60.67 deg
 Left Sidelobe: -0.96 dB at 87.486 deg
 Right Sidelobe: Not Found
 Far-field display setup
 Azimuth (deg)
 span = 360.00001 deg, Center = 0.000 deg, #pts = 181
 Start = -180.00001 deg, Stop = 180.00001 deg, Delta = 2.000
 deg
 Elevation (deg)
 Center = 0.000 deg, #pts = 1
 Selected beam(s) 1 of 6
 Beam Frequency Azimuth Elevation Pol
 --- Frequency Azimuth Elevation Pol
 1 0.890 GHz Azimuth Elevation Single-pol

Far-field amplitude of AG-08.nsi



Far-field amplitude, Eprincipal: Linear, Tau = 0.000 deg
 Gain = 2.43111 dBi
 Max far-field (global) = -40.19456 dB, Max far-field (plot) =
 -40.19457 dB
 Normalization: Reference, Network offset = 0.000 dB
 Vpeak at: -69.000 deg, Vpeak at: 0.000 deg
 Plot centering: On
 AG-08E-Plane cut scan. Feeding cable at bottom side around RJC
 beam covered by absorber to reduce possible coupling with
 AUT.
 NSI2000 V4.0.124, Filename: C:\nsi2000\T.Y.HUS\PF-28A\AG-08.nsi
 Measurement date/time: 5/17/2007 4:32:48 PM, Filetype: NSI-97
 Far-field Cut Analysis:
 Avg value: -3.720 dB
 -3. dB beam width: 38.36 deg
 -6. dB beam width: 52.85 deg
 -10. dB beam width: 65.24 deg
 Left Sidelobe: -2.39 dB at -137.765 deg
 Right Sidelobe: -1.84 dB at 39.218 deg
 Far-field display setup
 Azimuth (deg)
 span = 360.00001 deg, Center = 0.000 deg, #pts = 181
 Start = -180.00001 deg, Stop = 180.00001 deg, Delta = 2.000
 deg
 Elevation (deg)
 Center = 0.000 deg, #pts = 1
 Selected beam(s) 1 of 6
 Beam Frequency Azimuth Elevation Pol
 --- Frequency Azimuth Elevation Pol
 3 0.960 GHz Azimuth Elevation Single-pol

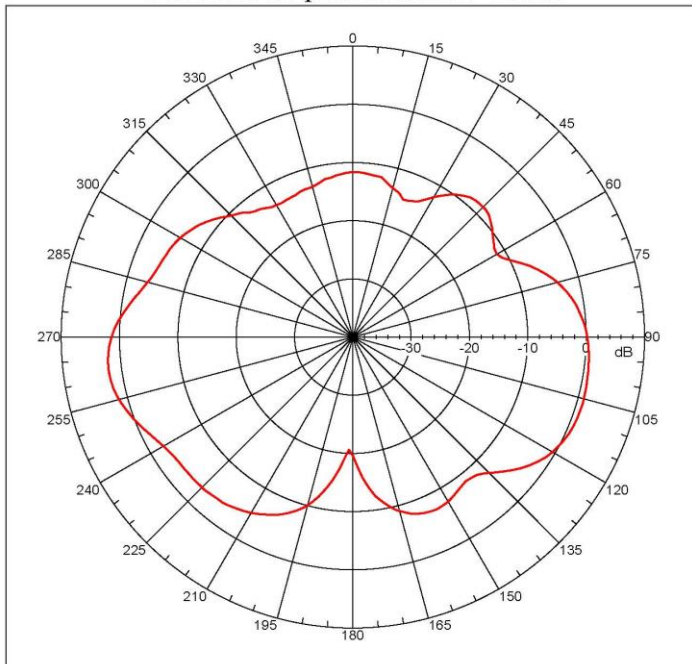
Far-field amplitude of AG-08.nsi



Far-field amplitude, Eprincipal: Linear, Tau = 0.000 deg
 Gain = 0.74775 dBi
 Max far-field (global) = -44.38258 dB, Max far-field (plot) =
 -44.38265 dB
 Normalization: Reference, Network offset = 0.000 dB
 Wpeak at: -94.00001 deg, Vpeak at: 0.000 deg
 Plot centering: On
 AG-08E-Plane cut scan. Feeding cable at bottom side around RVC
 beam covered by absorber to reduce possible coupling with
 AUT.
 NSI2000 V4.0.124, Filename:C:\nsi2000\Y.Y.HUS\PP-28A\AG-08.nsi
 Measurement date/time: 5/17/2007 4:32:48 PM, Filetype: NSI-97
 Far-field Cut Analysis:
 Avg value: -6.658 dB
 -3. dB beam width: 31.71 deg
 -6. dB beam width: 55.67 deg
 -10. dB beam width: 113.54 deg
 Left sidelobe: Not Found
 Right sidelobe: -10.17 dB at 29.162 deg
 Far-field display setup
 Azimuth (deg)
 span = 360.00001 deg, Center = 0.000 deg, #pts = 181
 Start = -180.00001 deg, Stop = 180.00001 deg, Delta = 2.000
 deg
 Elevation (deg)
 Center = 0.000 deg, #pts = 1
 Selected beam(s) 1 of 6
 Beam Frequency Azimuth Elevation Pol

 4 1.710 GHz Azimuth Elevation Single-pol

Far-field amplitude of AG-08.nsi



Far-field amplitude, Eprincipal: Linear, Tau = 0.000 deg
 Gain = 2.23256 dBi
 Max far-field (global) = -44.38983 dB, Max far-field (plot) =
 -44.38983 dB
 Normalization: Reference, Network offset = 0.000 dB
 Wpeak at: -90.00001 deg, Vpeak at: 0.000 deg
 Plot centering: On
 AG-08E-Plane cut scan. Feeding cable at bottom side around RVC
 beam covered by absorber to reduce possible coupling with
 AUT.
 NSI2000 V4.0.124, Filename:C:\nsi2000\Y.Y.HUS\PP-28A\AG-08.nsi
 Measurement date/time: 5/17/2007 4:32:48 PM, Filetype: NSI-97
 Far-field Cut Analysis:
 Avg value: -5.331 dB
 -3. dB beam width: 30.47 deg
 -6. dB beam width: 63.56 deg
 -10. dB beam width: 107.07 deg
 Left sidelobe: Not Found
 Right sidelobe: -13.91 dB at 3.017 deg
 Far-field display setup
 Azimuth (deg)
 span = 360.00001 deg, Center = 0.000 deg, #pts = 181
 Start = -180.00001 deg, Stop = 180.00001 deg, Delta = 2.000
 deg
 Elevation (deg)
 Center = 0.000 deg, #pts = 1
 Selected beam(s) 1 of 6
 Beam Frequency Azimuth Elevation Pol

 5 1.800 GHz Azimuth Elevation Single-pol

VARIANT	PART NUMBER
Antenna GSM Adhesive 25/open, 2.5dBi, RG174/3m	AO-AGSM-SA1
Antenna GSM Adhesive 25, 2.5dBi, MMCX(m)R/A, RG174 2m	AO-AGSM-SA1C
Antenna GSM Adhesive 25, 2.5dBi, FME(f), RG174/3m	AO-AGSM-SA1F
Antenna GSM Adhesive 25, 2.5dBi, MCX(m)R/A, RG174/40cm	AO-AGSM-SA1M
Antenna GSM Adhesive 25, 2.5dBi, SMA(m), RG174U/3m	AO-AGSM-SA1S

CONTACTS

SECTRON s.r.o. Josefa Šavla 1271/12
709 00 Ostrava 9, Czech Republic

WWW.SECTRON.CZ
Tel.: +420 556 621 021