



GSM ANTENNA

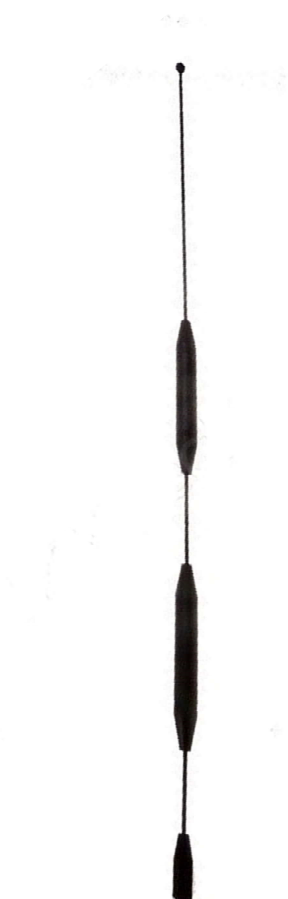
Rod for antenna GSM
Magnetic 90, 9 dBi

AO-AGSM-MG9-P

SECTRON company offers a wide portfolio of GSM antennas with various versions differing in shape, level of gain and manner of attachment. SECTRON guarantees a compatible connection between an antenna and all antenna adaptors produced by SECTRON.

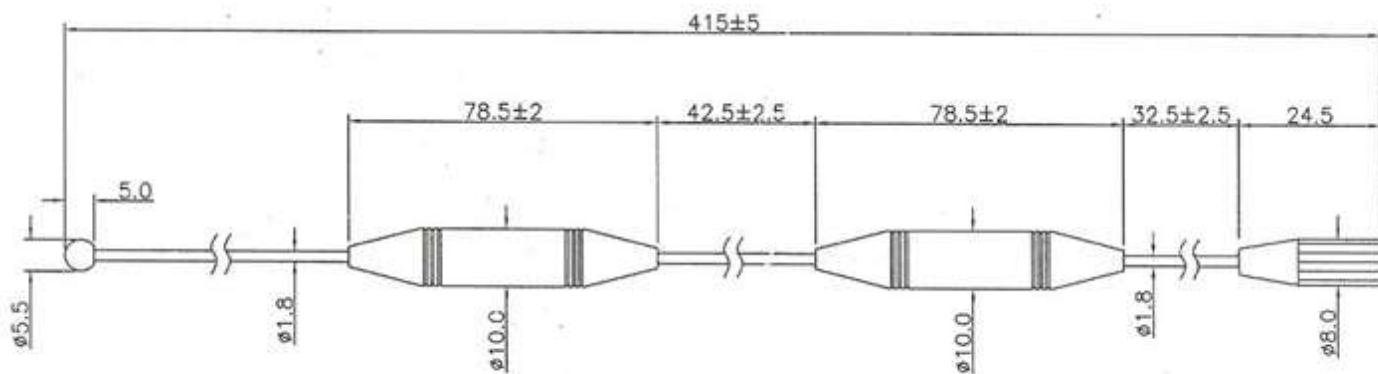
BENEFITS

- Low VSWR
- High gain



Technology	GSM/UMTS
Frequency bands	900/1800 MHz
Bandwidth	-
Gain	9 dBi
VSWR	<1.8:1
Impedance	50 Ohm
Directivity	Omnidirectional
Beam angle	H 360° V 30°
Polarization	Linear
Maximum input power	10 W
Power voltage	-
Dimensions	415 x Ø10 mm
Weight	32.76 g
Operating temperature	-30 to +90 °C
Execution	External
Method of attachment	Screw
Cable type	-
The cable length	-
Connector type	-

DRAWING



Unit: mm

VARIANTS

AO-AGSM-MG9-P

Different connector variants or cable lengths are available on request.

CONTACTS