

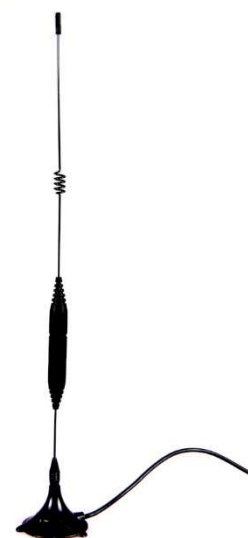


GSM ANTENNA

Antenna GSM Magnetic 50,
5 dBi, MCX90(m), RG174/3 m

AO-AGSM-MG5M

SECTRON company offers a wide portfolio of GSM antennas with various versions differing in shape, level of gain and manner of attachment. SECTRON guarantees a compatible connection between an antenna and all antenna adaptors produced by SECTRON.

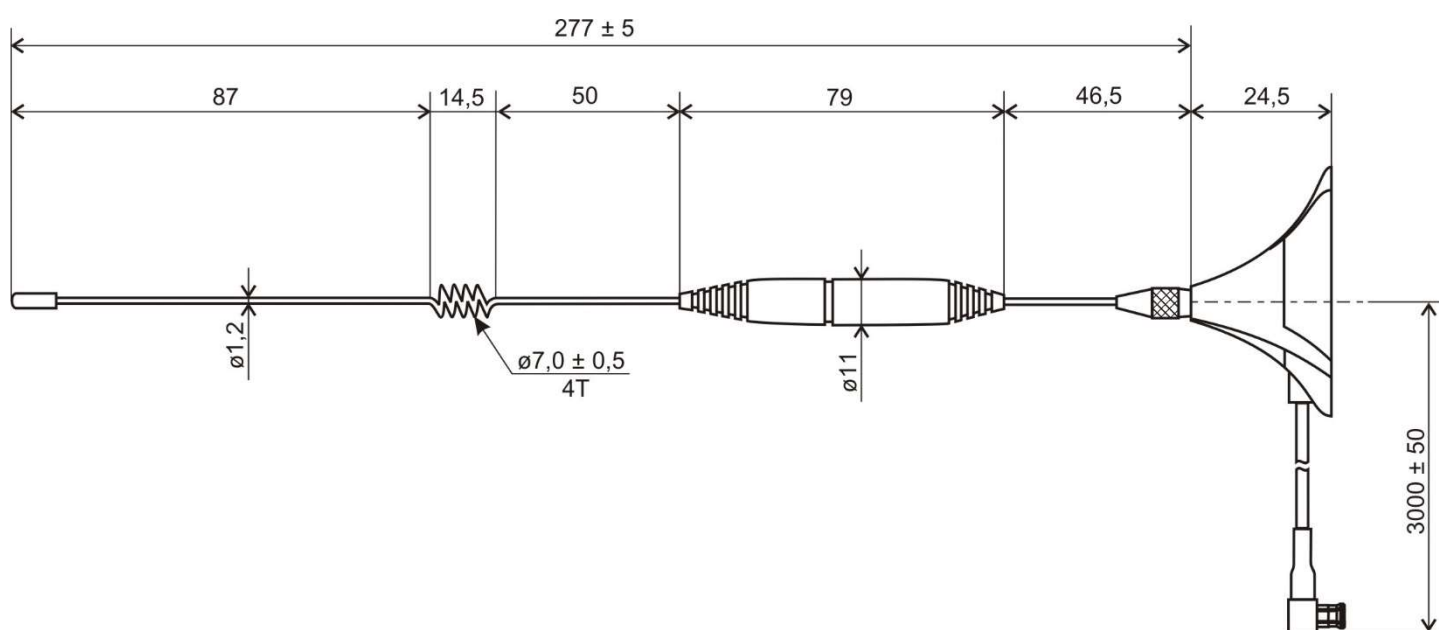


BENEFITS

- Low VSWR
- Easy installation
- Omnidirectional – suitable for moving devices

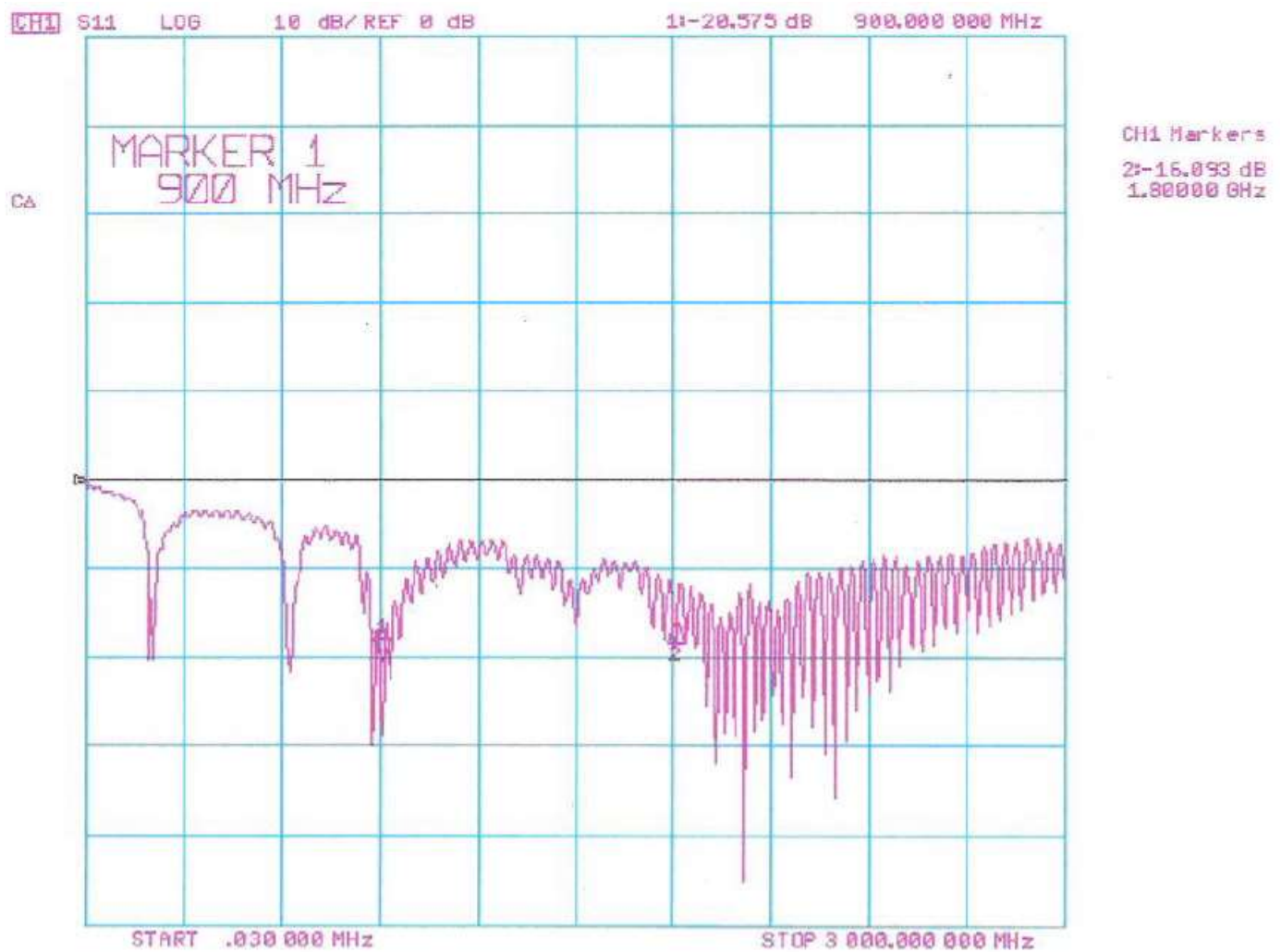
Technology	GSM
Frequency bands	900/1800 MHz
Bandwidth	-
Gain	5 dBi
VSWR	< 2:1
Impedance	50 Ohm
Directivity	Omnidirectional
Beam angle	H-360°, V-30°
Polarization	Vertical
Maximum input power	10 W
Power voltage	-
Dimensions	Base $\varnothing 40 \times 300$ mm
Weight	55.37 g
Operating temperature	-40 to +85 ° C
Execution	External
Method of attachment	Magnetic
Cable type	RG174 / U
The cable length	3 m
Connector type	MCX(m)90°

DRAWING



UNIT: mm

Graph – S11



Frequency	VSWR	S11 [dB]
900 MHz	1.2	-20.6
1800 MHz	1.38	-16.1

VARIANTS

Different connector variants or cable lengths are available on request.

CONTACTS

SECTRON s.r.o. Josefa Šavla 1271/12
709 00 Ostrava 9, Czech Republic

WWW.SECTRON.CZ
Tel.: +420 556 621 021