



DVB-T ANTENNA

Antenna DVB-T AA-389

AO-ADVBT-45P

SECTRON company offers wide portfolio of DVB-T antennas with various versions differing in shape, level of gain or attachment manner. SECTRON guarantees a compatible connection between antenna and all antenna adaptors produced by SECTRON.

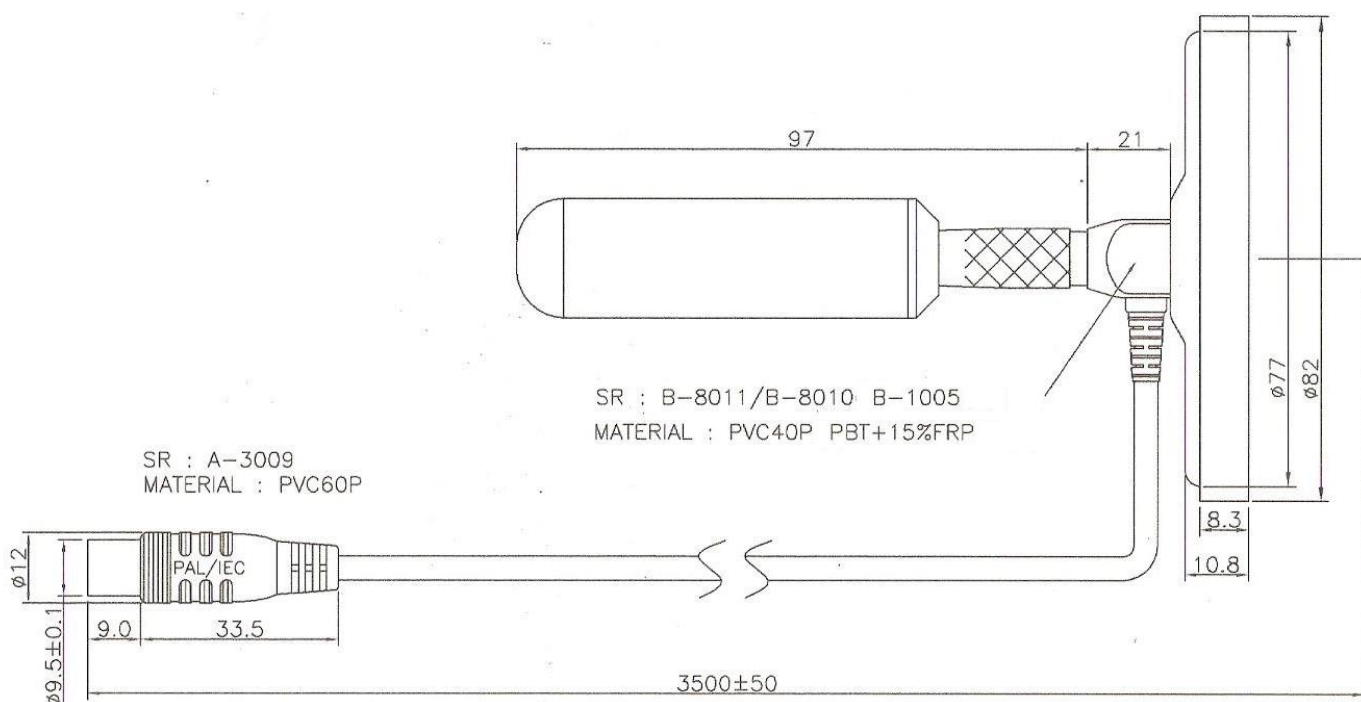
BENEFITS

- Low VSWR
- Easy installation



Technology	DVB-T
Frequency bands	470-860 MHz
Bandwidth	-
Gain	0 dBi
VSWR	<2.0: 1
Impedance	75 Ohm
Directivity	Omnidirectional
Beam angle	H 360° V 30°
Polarization	Linear
Maximum input power	10W
Power voltage	-
Dimensions	Ø80 x 135 mm
Weight	371.27 g
Operating temperature	- 20°C to +65°C
Execution	External
Method of attachment	Magnetic
Cable type	3C2V
The cable length	3.5 m
Connector type	PAL(m)

DRAWING



CONTACTS

VARIANT	PART NUMBER

CONTACTS

SECTRON s.r.o. Josefa Šavla 1271/12
709 00 Ostrava 9, Czech Republic

WWW.SECTRON.CZ
Tel.: +420 556 621 021