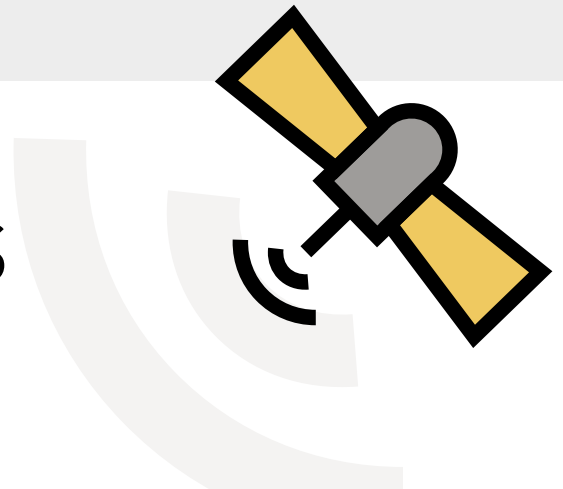


# Acutime™360 Multi-GNSS Smart Antenna



## Multi-GNSS Smart Antenna

The Protempis Acutime™360 Multi-GNSS (GPS, GLONASS, Beidou, Galileo-ready) smart antenna is latest Acutime product of integrated GNSS technology in a rugged and weather-proof self-contained unit.

The Acutime™360 is an integrated pipe thread-mounted multi-GNSS receiver, antenna and power supply solution in a single environmentally sealed easy to install enclosure.

## Demonstrated Performance

The Acutime™360 design continues the Protempis line of GNSS smart antennas, which have been in production since 1991. The Acutime™360 is optimized for precise timing and network synchronization needs, including broadband wireless applications.

It provides a cost effective and independent timing source (within the firewall) for any application, such as fault detection systems and synchronization of wireless networks.

## Power Efficiency & Performance

The Acutime™360 Multi-GNSS smart antenna requires less than 1 Watt to operate. Once power is applied, the Acutime™360 smart antenna automatically tracks satellites and surveys its position to within meters. It then switches to overdetermined time mode and generates a pulse-per-second (PPS) output synchronized to UTC within 15 nanoseconds (one sigma), outputting a time tag for each pulse.

## Acutime™360 Starter Kit Option

The Acutime™360 Starter Kit makes it easy to evaluate the exceptional performance of this multi-GNSS smart antenna and integrate advanced technology into your system.

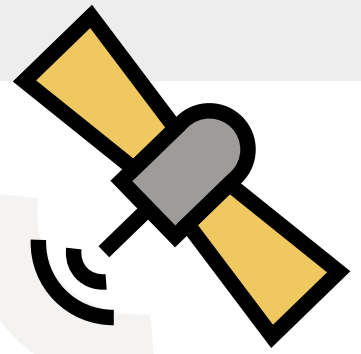


## Key Features

- Multi-Constellation
- Simultaneous GPS / GLONASS or GPS / Beidou tracking
- Superior sensitivity
  - Tracking -160dBm
  - Acquisition-148dBm (cold)
- Weatherproof and corrosion resistant housing
- Extended temperature range (-40°C / +85°C)

### Disclaimer

Protempis does not assume any liability arising out of the application or use of any product described or shown herein nor does it convey any license under its patents, copyrights, or any rights of others. Licenses or any other rights such as, but not limited to, patents, utility models, trademarks or trade names, are neither granted nor conveyed by this document, nor does this document constitute any obligation of the disclosing party to grant or convey such rights to the receiving party.



## General Specifications

Receiving Signal.....	GPS, GLONASS, Galileo1, Beidou
Positioning System.....	SPS, Timing
1 PPS Timing Accuracy .....	15 ns (1 sigma)
Update Rate.....	1 Hz
Typical Min Acq Sensitivity.....	-148dBm cold start
Typical Min Tracking Sensitivity .....	-160dBm
Time to First Fix2.....	<46s (50%), <50s (90%) cold start
Typical Time to Re-acquisition.....	<2s (90%)
Accuracy Horizontal Position.....	<6m (50%), <9m (90%)
Accuracy Vertical Position.....	<11m (50%), <18m (90%)

1 Hardware ready: a firmware update is required to enable the Galileo constellation.  
 2 The performance criteria and times given for TTFF & reacquisition are with GPS satellites in the constellation set.

## Interface Characteristics

Serial Port.....	2 serial port
Protocols.....	TSIP, NMEA 0183

All ports support baud rates 4.8-115.2kbps; 8 data bits; E, O or no parity

## Electrical Characteristics

Power.....	+5VDC3 to +36VDC, reverse polarity protection
Power Consumption.....	<1.0Watt

1 Reduced cable length @+5VDC to +12VDC

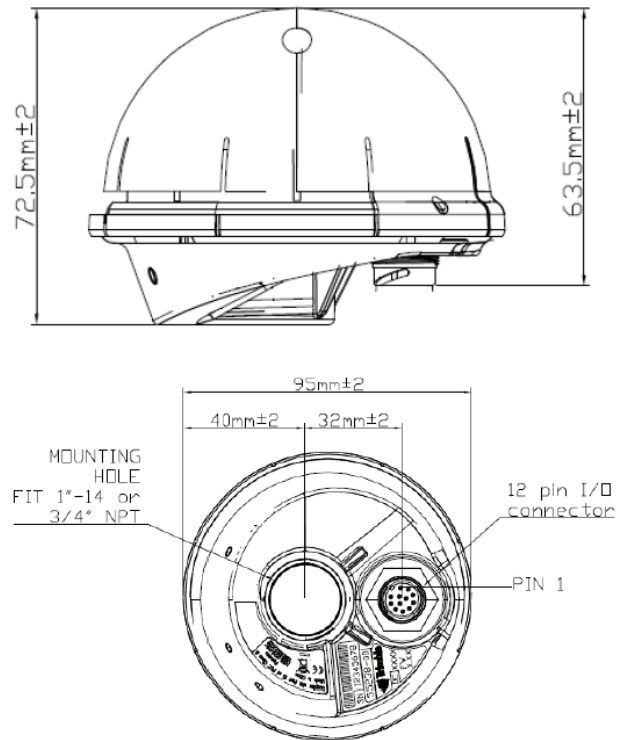
## Environmental Specifications

Operating Temperature.....	-40°C to +85°C
Operating Humidity.....	5%-95% RH non-condensing (+60°C)
Storage Temperature.....	-55°C to +105°C
Ingress Protection.....	IP67
EMC.....	CE, FCC Class B

## Physical Characteristics

Dimensions .....	95mm x 72.5mm (3.74" D x 2.85" H)
Weight.....	5.4oz (154grams)
Connector.....	12-pin round, waterproof
Mounting 1"–14 straight thread or 3/4" pipe thread	

## Mechanical Drawing



Please go to [www.protempis.com](http://www.protempis.com) for the latest documentation and tools, part numbers and ordering information.

[www.protempis.com](http://www.protempis.com)

### Disclaimer

Protempis does not assume any liability arising out of the application or use of any product described or shown herein nor does it convey any license under its patents, copyrights, or any rights of others. Licenses or any other rights such as, but not limited to, patents, utility models, trademarks or trade names, are neither granted nor conveyed by this document, nor does this document constitute any obligation of the disclosing party to grant or convey such rights to the receiving party.