



WIFI/GSM ANTENNA

Antenna WiFi Ceiling Mount W915,
3 dBi, N(m), RG58/1m, White

AW-A24G-W915N

SECTRON company offers a wide portfolio of WIFI/GSM antennas with various versions differing in shape, level of gain and manner of attachment. SECTRON guarantees compatible connection between an antenna and all antenna adaptors produced by SECTRON.



BENEFITS

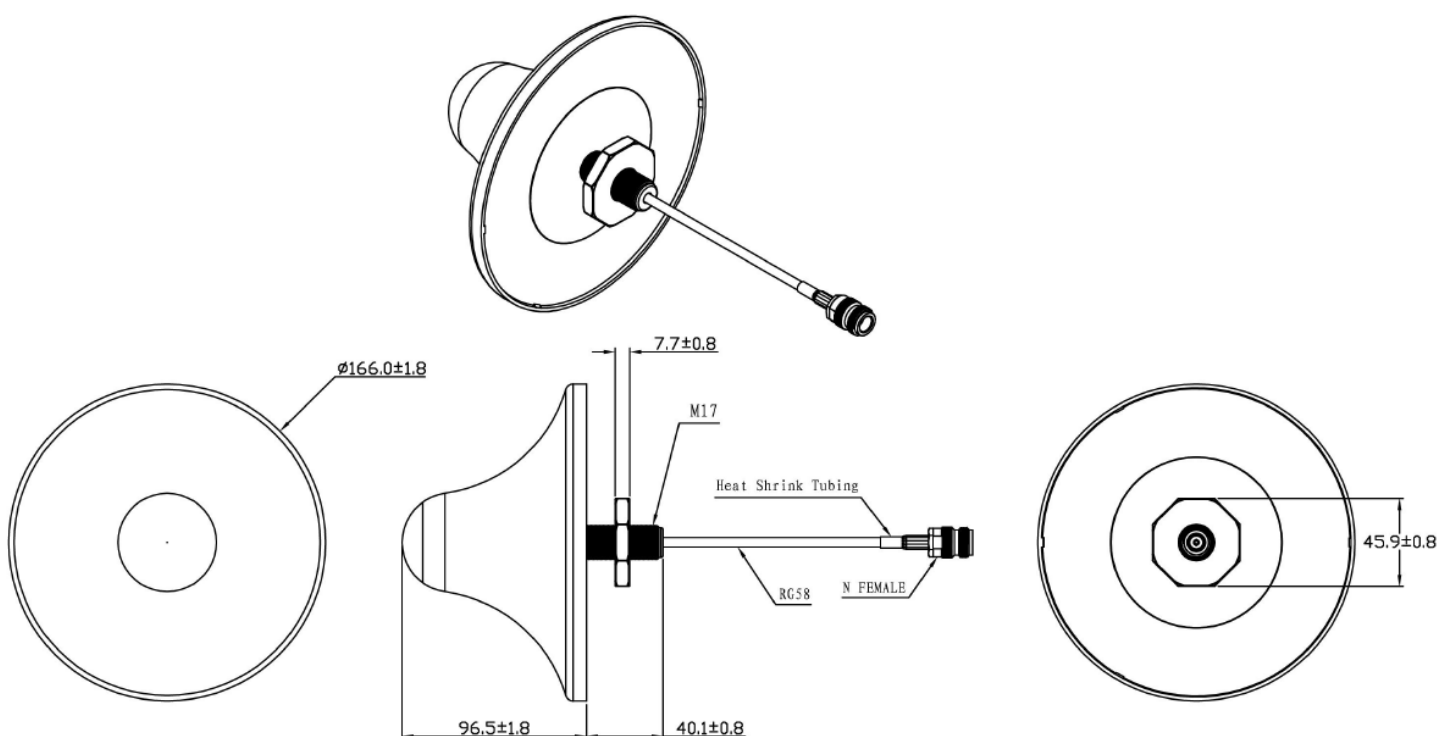
- Low VSWR
- Environmental resistance

FEATURES

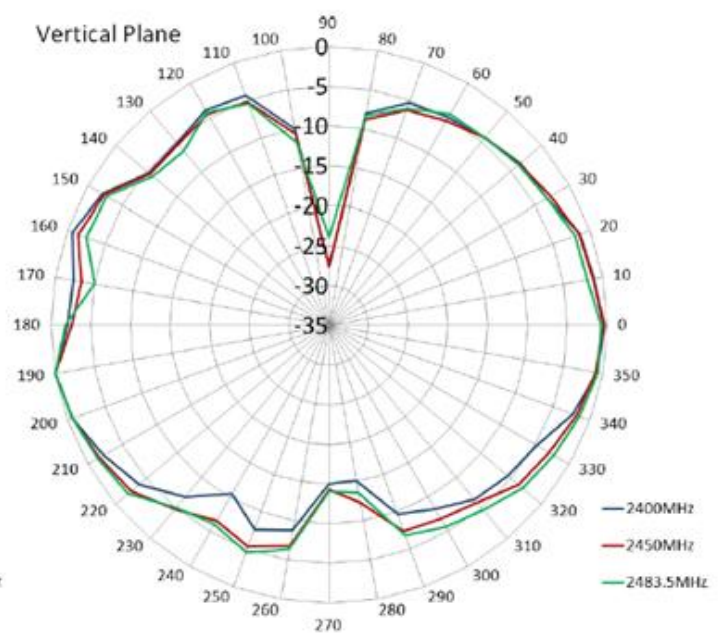
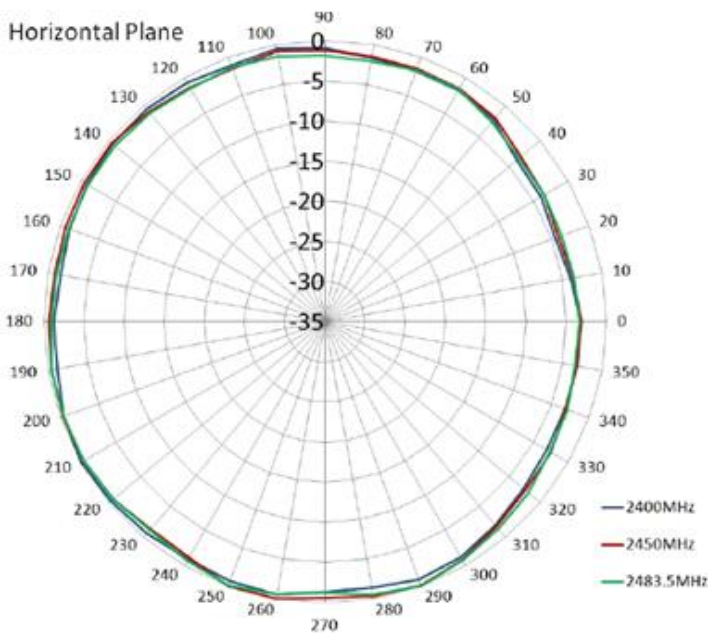
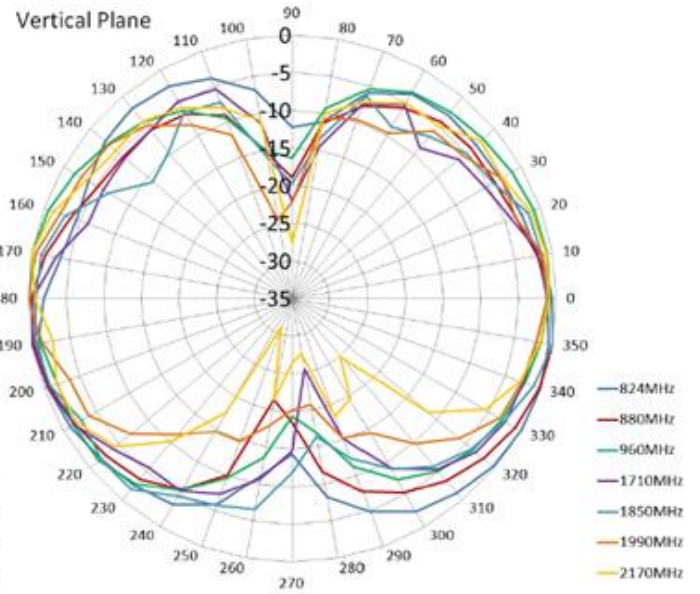
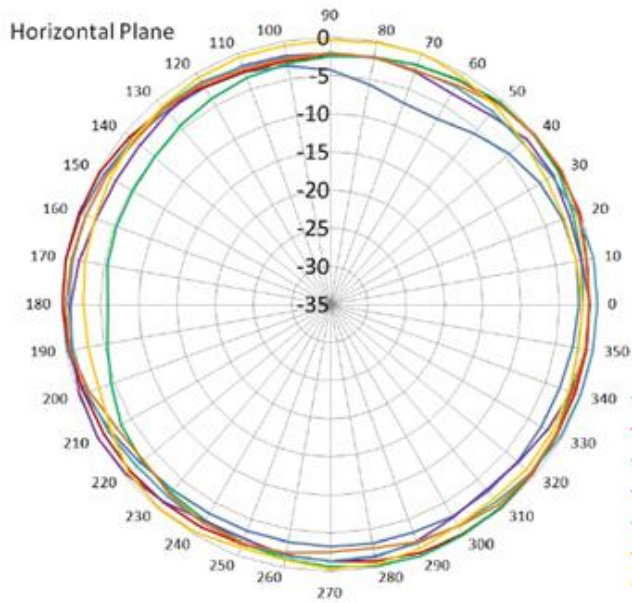
AW-A24G-W915N

Technology	GSM/WiFi
Frequency bands	900/1800/2100/2400 MHz
Bandwidth	-
Gain	3 dBi
VSWR	<2.0:1
Impedance	50 Ohm
Directivity	Omni-directional
Beam angle	H 360° V 70°
Polarization	Linear
Maximum input power	10 W
Power voltage	-
Dimensions	∅ 166 x 136.6 mm
Weight	300 g
Operating temperature	-40 to +85 °C
Execution	-
Method of attachment	Ceiling Mount
Cable type	RG58/U
The cable length	1 m
Connector type	N(m)

DRAWING



Unit: mm



ALL VARIANTS

Different connector variants or cable lengths are available on request.

CONTACTS