



Lightning arrester

N(m)/N(f)

AO-LA-N-J

SECTRON company offers a wide portfolio of lightning arresters with various versions differing in connector types. SECTRON guarantees a compatible connection between an antenna and all antenna adaptors produced by SECTRON.

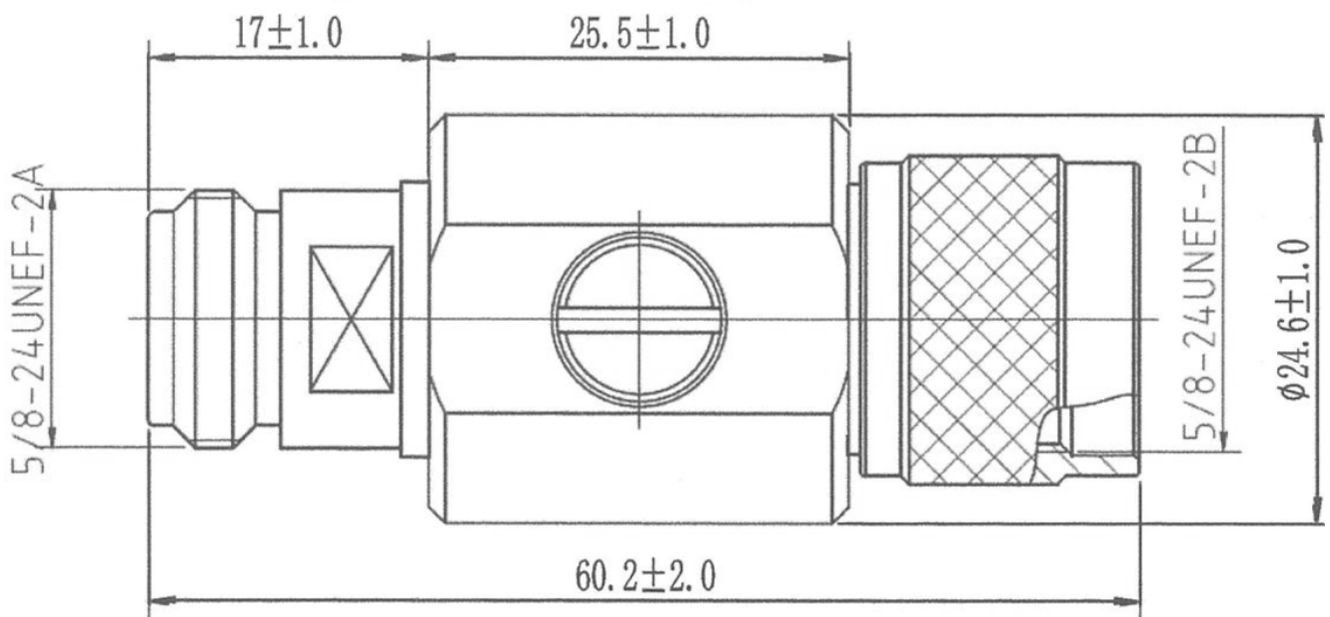


FEATURES

AO-LA-N-J

Frequency range	0 - 3 GHz
VSWR	<1.2:1
Impedance	50 Ohm
Insertion loss	0.3 dB
Impulse discharge current	20 kA
Nominal DC spark-over voltage	230±20 %
Maximum DC spark-over voltage	650 V
Dimensions	Ø24.6 x 60.2 mm
Operating temperature	-65 to 165 °C
Connector type	N(m)/N(f)
Material	Brass

DRAWING



CONTACTS

SECTRON s.r.o. Josefa Šavla 1271/12
709 00 Ostrava 9, Czech Republic

WWW.SECTRON.CZ
Tel.: +420 556 621 020