

## IPEX MHF-4 (f) to SMA(f), LP-068, 10 cm AM-68-IS10S



SECTRON company offers a wide portfolio of high-quality handmade cable adaptors in various versions for M2M applications.

SECTRON product portfolio includes brand connectors and coaxial cables in diameters from 0.8 mm to 10 mm suitable for frequencies up to 6 GHz. Using the latest technologies and our experience in the field, we will manufacture and test each RF cable adaptor exactly for your device.

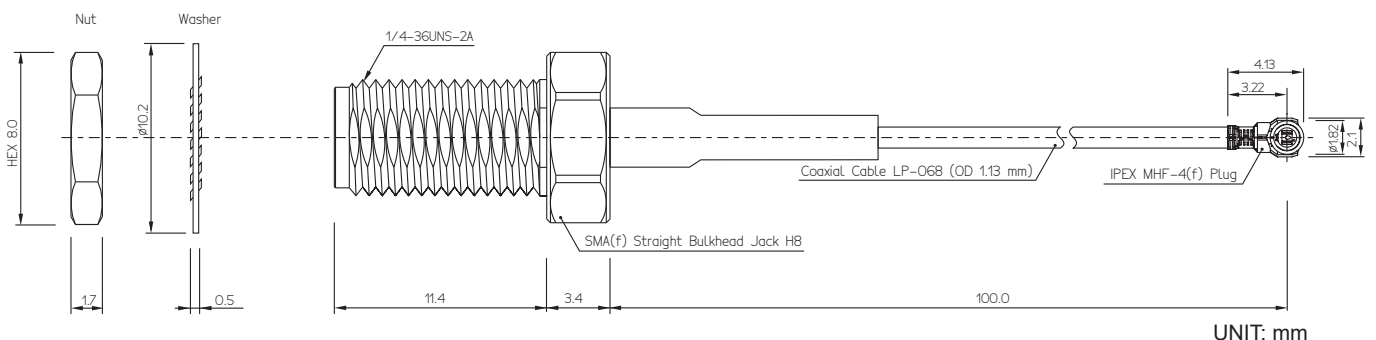
### BENEFITS

- High reliability thanks to precise design
- Low Insertion loss
- Low VSWR

### FEATURES

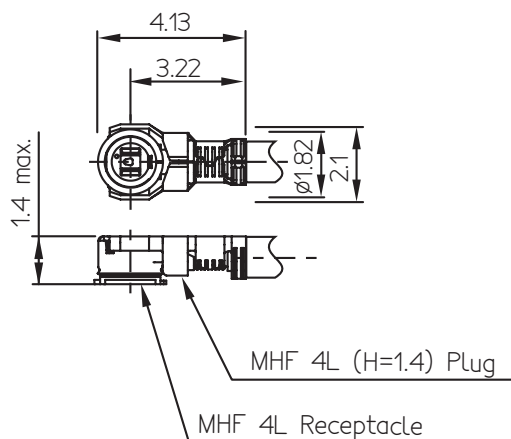
Frequency range	Up to 6 GHz
Impedance	50 Ohm
Maximum VSWR	< 1.4:1 / 3 GHz
Max. Insertion Loss	-0.73 dB / 3GHz
Working Voltage	60 V <sub>rms</sub>
Maximum operating voltage	200 V AC/1 min
Cable type	Cable 068 series, Diameter 1.13 mm micro coax
Cable length	0.1 m
Connector type A	SMA(f) Straight BH Jack H8 for LP-068
Connector type B	IPEX MHF-4(f) Plug
Operating temperature	-40 °C to +90 °C
Weight	3.77 g
Certification	RoHS, ISO 9001, ISO 14001

### DRAWING - ADAPTOR



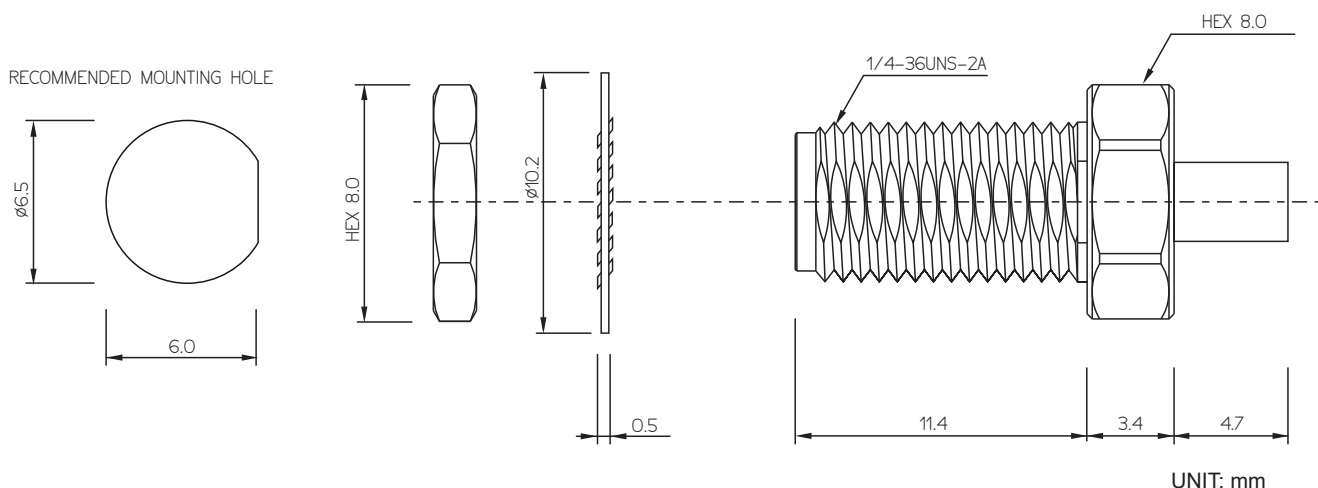
# CONNECTORS PARAMETERS

IPEX MHF-4(f) Plug



UNIT: mm

SMA(f) Straight Bulkhead Jack H8 Coaxial Cable LP-068 (OD 1.13 mm)



UNIT: mm

IPEX MHF-4 connector material

Contact	Phosphor Bronze
Ground Contact	Phosphor Bronze
Housing	Polybutylene terephthalate (PBT) Black
Mating Cycles	30 cycles

SMA connector material

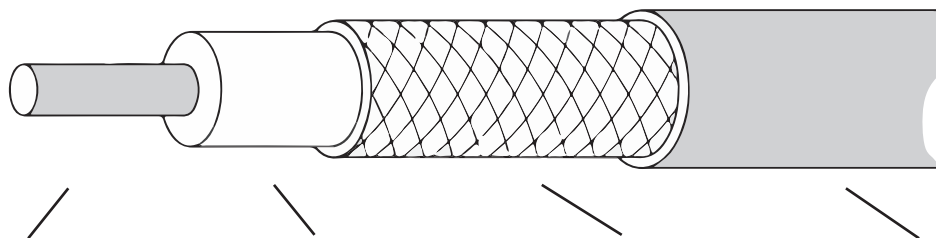
Body	Brass, Gold plated
Center pin	Phosphor Bronze, Gold plated
Insulator	Teflon
Push insulator	Teflon
Ferrule	Brass / Gold plated
Washer	Brass, Gold plated
Nut	Brass, Gold plated
Mating Cycles	500 cycles

CZ: +420 556 621 030  
INT: +420 556 621 020

CZ: obchod@sectron.cz  
INT: sales@sectron.cz

SECTRON s.r.o.  
Josefa Šavla 12, 709 00 Ostrava, Czech Republic

## CABLE PARAMETERS

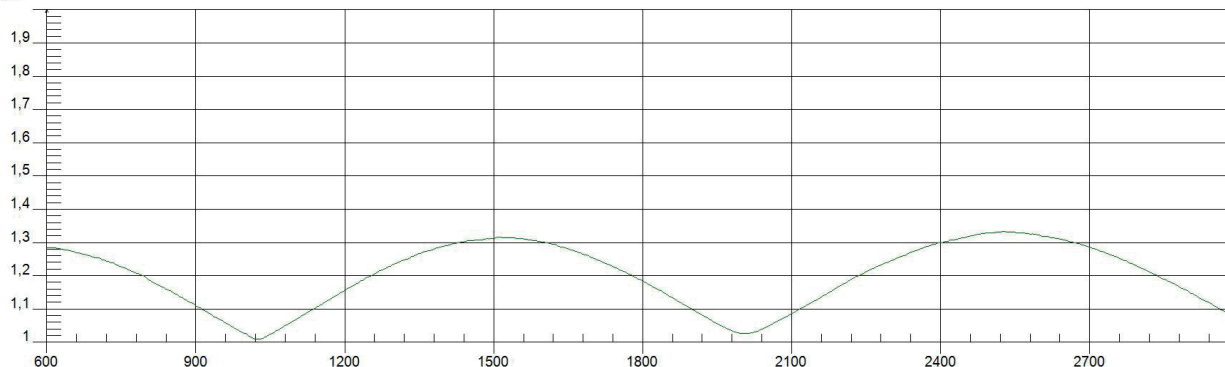


Inner Conductor	Insulation	Braid shield	Jacket
Material: Silver-plated Cu wire	Material: FEP	Material: Tinned Cu wire	Material: FEP
Stranding: 7×0.082 mm	Average thickness: 0.20 mm	Type braid: 16×4×∅0.05 mm	Average thickness: 0.12 mm
Outer diameter: 0.22 mm	Outer diameter: 0.70±0.02 mm	Coverage: 90 %	Outer diameter: 1.13±0.05 mm

## ADAPTOR MEASUREMENT

**GRAPH VSWR - VOLTAGE STANDING WAVE RATIO [-]**

VSWR



**GRAPH S12 - INSERTION LOSS [dB]**

dB

