



## WIFI ANTENNA

Antenna WiFi Adhesive U25,  
2.4/5 GHz, 2.5 dBi, RP-SMA (pin f) RA,  
RG174DS/0.2m, black tubing sleeve

AW-A2458G-S2SRPRA200B

SECTRON company offers a wide portfolio of WIFI antennas with various versions differing in shape, level of gain and manner of attachment. SECTRON guarantees a compatible connection between an antenna and all antenna adaptors produced by SECTRON.

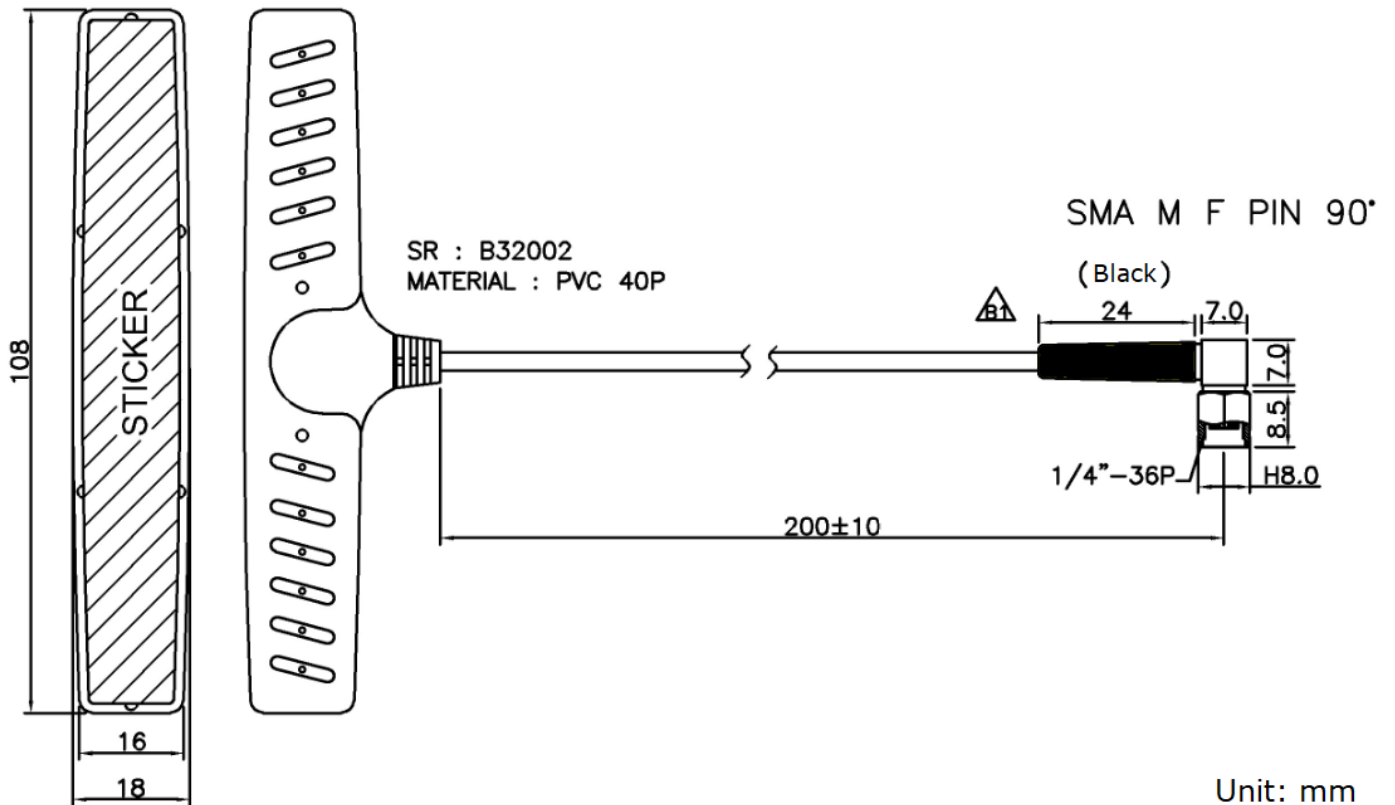


### BENEFITS

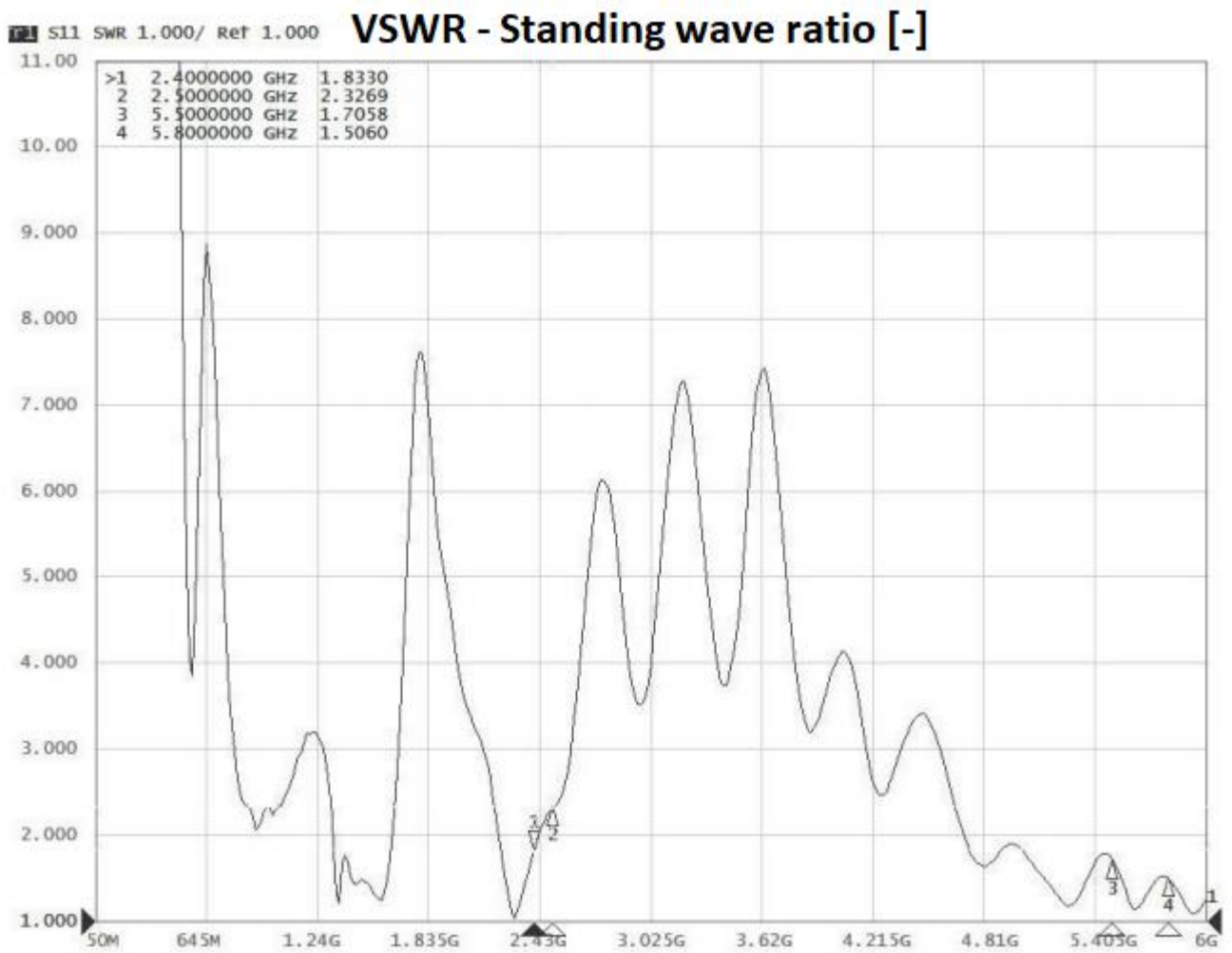
- Low VSWR
- Easy installation

Technology	WiFi
Frequency bands	2.4/5 GHz
Bandwidth	-
Gain	2.5 dBi
VSWR	<2.0:1
Impedance	50 Ohm
Directivity	Omnidirectional
Beam angle	H 360° V 30°
Polarization	Linear
Maximum input power	10 W
Power voltage	-
Dimensions	18 x 108 mm
Weight	21.95 g
Operating temperature	-30 to +80 °C
Execution	External
Method of attachment	Adhesive
Cable type	RG174DS
The cable length	200 mm
Connector type	SMA-RP(f pin)90°

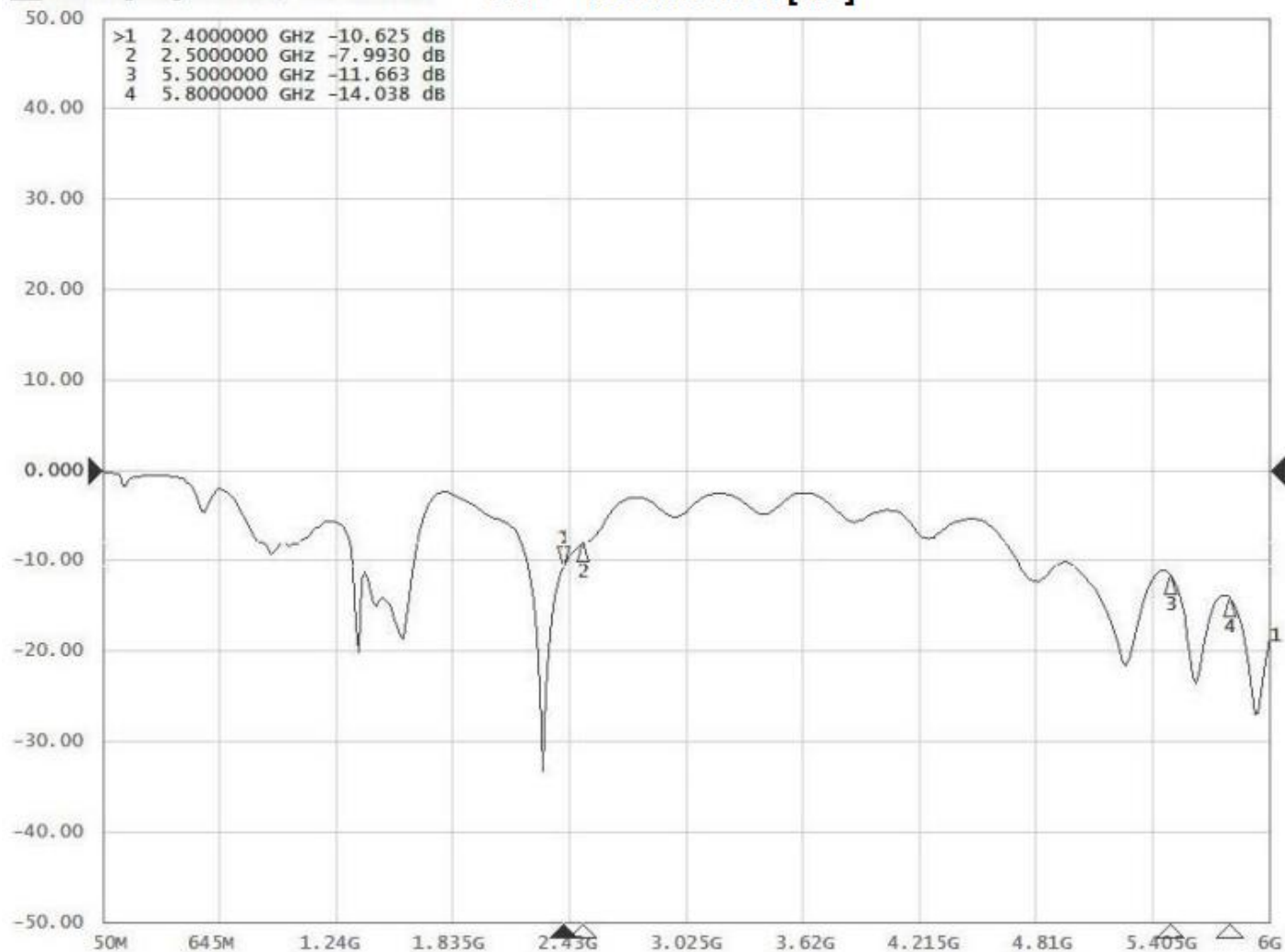
DRAWING



Unit: mm



S11 Log Mag 10.00dB/ Ref 0.000dB

**S11 – Return loss [dB]**

Frequency (MHz)	Return Loss (dB)	VSWR (dB)
2400	-10.62	1.83
2500	-7.99	2.32
5500	-11.66	1.70
5800	-14.03	1.50

## CONTACTS

SECTRON s.r.o. Josefa Šavla 1271/12  
709 00 Ostrava 9, Czech Republic

WWW.SECTRON.CZ  
Tel.: +420 556 621 021