



GSM/UMTS ANTENNA

Antenna UMTS/GSM Magnet Mount U30,
3 dBi, FME(f), RG174/3m

AO-AUMTS-M3F

SECTRON company offers a wide portfolio of GSM/UMTS antennas with various versions differing in shape, level of gain and manner of attachment. SECTRON guarantees a compatible connection between an antenna and all antenna adaptors produced by SECTRON.

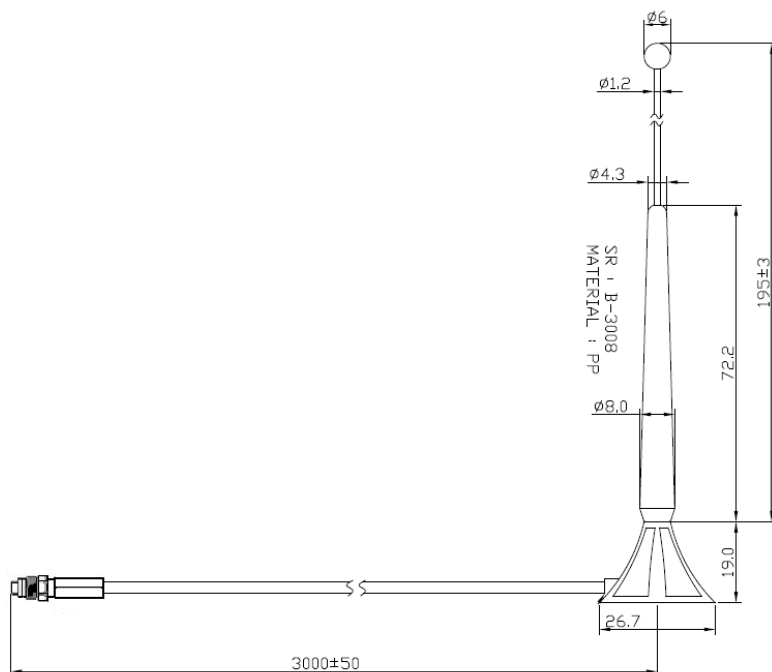
BENEFITS

- Low VSWR
- Easy installation
- Omnidirectional - suitable for moving devices

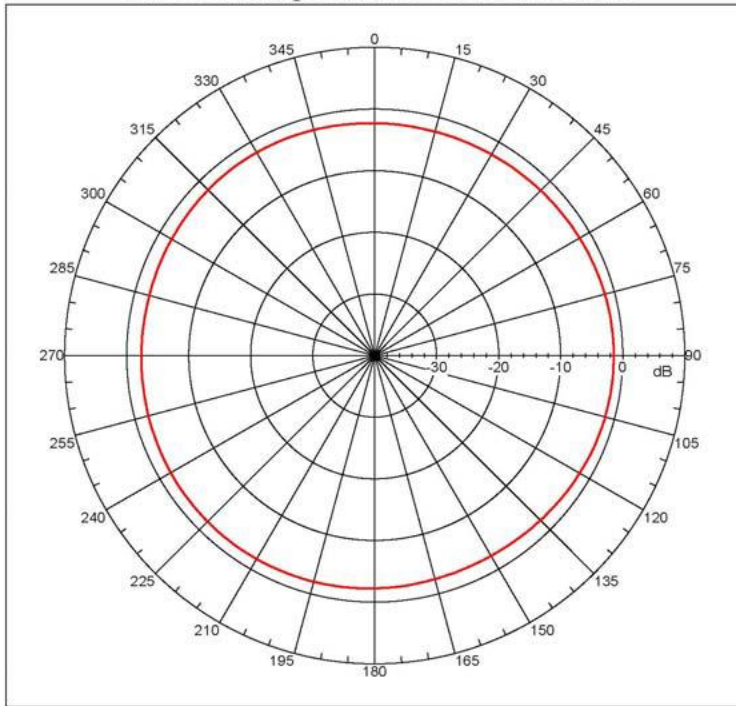


Technology	GSM/UMTS
Frequency bands	900/1800/1900/2100 MHz
Bandwidth	-
Gain	3 dBi
VSWR	<2.0:1
Impedance	50 Ohm
Directivity	Omnidirectional
Beam angle	H 360° V 30°
Polarization	Vertical
Maximum input power	10 W
Power voltage	-
Dimensions	26.7 x 214 mm
Weight	48.37 g
Operating temperature	-40 to +85 °C
Execution	External
Method of attachment	Magnet Mount
Cable type	RG174/U
The cable length	3 m
Connector type	FME(f)

DRAWING



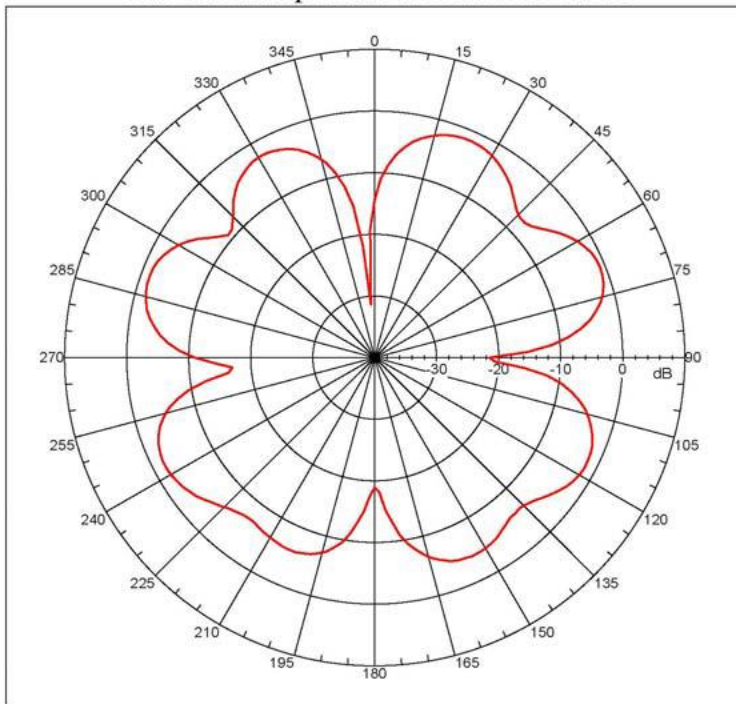
Far-field amplitude of C02M43-H.nsi



```

Far-field amplitude, E principal: Linear, Tau = 0.000 deg
Gain = -1.43827 dBi
Max far-field (global) = -42.99805 dB, Max far-field (plot) =
-42.99805 dB
Normalization: Reference, Network offset = 0.000 dB
Hpeak at: 87.99999 deg, Vpeak at: 0.000 deg
Plot centering: On
20120322 C02M43-H
NSI2000 V4.0.124, Filename:c:\Documents and Settings\NSI\Desktop\20
12 CHM06E\C02\MT43\C02M43-H.nsi
Measurement date/time: 3/22/2012 4:11:32 PM, Filetype: NSI-97
Far-field Cut Analysis:
Avg value: -2.083 dB
-3. dB beam width: Not Found
-6. dB beam width: Not Found
-10. dB beam width: Not Found
Left Sidelobe: Not Found
Right Sidelobe: Not Found
Far-field display setup
Azimuth (deg)
Span = 360.00001 deg, Center = 0.000 deg, #pts = 181
Start = -180.00001 deg, Stop = 180.00001 deg, Delta = 2.000
deg
Elevation (deg)
Center = 0.000 deg, #pts = 1
Selected beam(s) 1 of 12
Beam Frequency Azimuth Elevation Pol
----
4 0.908 GHz Azimuth Elevation Single-pol
    
```

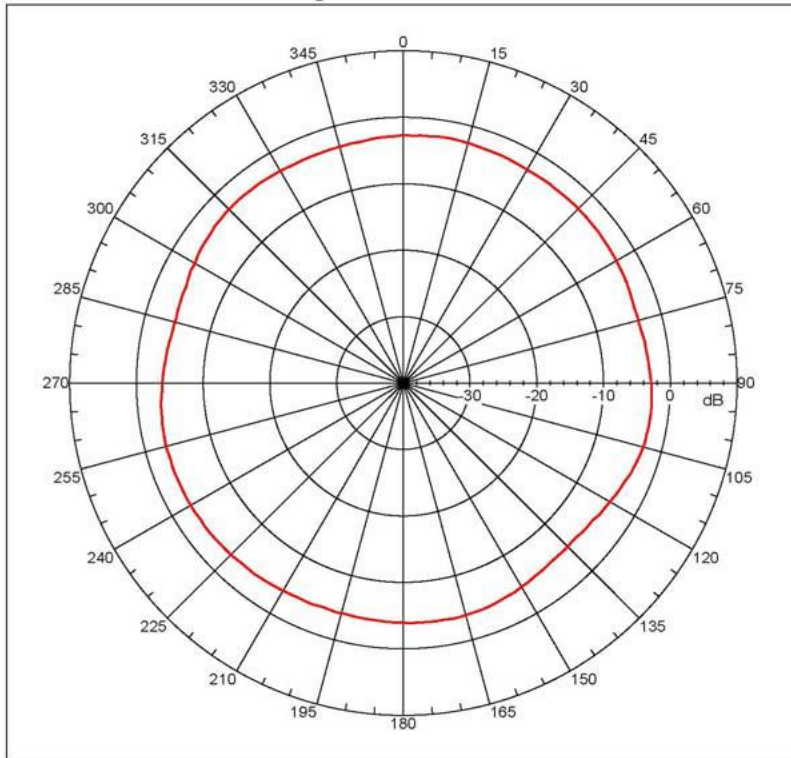
Far-field amplitude of C02M43-E.nsi



```

Far-field amplitude, E principal: Linear, Tau = 0.000 deg
Gain = -0.80912 dBi
Max far-field (global) = -47.63116 dB, Max far-field (plot) =
-47.63121 dB
Normalization: Reference, Network offset = 0.000 dB
Hpeak at: 67.99999 deg, Vpeak at: 0.000 deg
Plot centering: On
20120322 C02M43-E
NSI2000 V4.0.124, Filename:c:\Documents and Settings\NSI\Desktop\20
12 CHM06E\C02\MT43\C02M43-E.nsi
Measurement date/time: 3/22/2012 4:18:52 PM, Filetype: NSI-97
Far-field Cut Analysis:
Avg value: -5.274 dB
-3. dB beam width: 22.31 deg
-6. dB beam width: 32.28 deg
-10. dB beam width: 52.95 deg
Left Sidelobe: -0.81 dB at 22.140 deg
Right Sidelobe: -0.94 dB at 119.665 deg
Far-field display setup
Azimuth (deg)
Span = 360.00001 deg, Center = 0.000 deg, #pts = 181
Start = -180.00001 deg, Stop = 180.00001 deg, Delta = 2.000
deg
Elevation (deg)
Center = 0.000 deg, #pts = 1
Selected beam(s) 1 of 12
Beam Frequency Azimuth Elevation Pol
----
7 1.808 GHz Azimuth Elevation Single-pol
    
```

Far-field amplitude of C02M43-H.nsi



```

Far-field amplitude, Eprincipal: Linear, Tau = 0.000 deg
Gain = -2.5095 dBi
Max far-field (global) = -49.8262 dB, Max far-field (plot) =
-49.8262 dB
Normalization: Reference, Network offset = 0.000 dB
Hpeak at: 9.99999 deg, Vpeak at: 0.000 deg
Plot centering: On

20120322 C02M43-H

NSI2000 V4.0.124, Filename:C:\Documents and Settings\N01\Desktop\20
12\C02M43\NSI\C02M43-H.nsi
Measurement date/time: 2/22/2012 4:11:32 PM, Filetype: NSI-97
Far-field Cut Analysis:
Avg value: -3.525 dB
-3. dB beam width: Not Found
-6. dB beam width: Not Found
-10. dB beam width: Not Found
Left Sidelobe: -0.68 dB at -105.587 deg
Right Sidelobe: -1.24 dB at 169.944 deg
Far-field display setup
Azimuth (deg)
Span = 360.00001 deg, Center = 0.000 deg, #pts = 181
Start = -180.00001 deg, Stop = 180.00001 deg, Delta = 2.000
deg
Elevation (deg)
Center = 0.000 deg, #pts = 1

Selected beam(s) 1 of 12
Beam Frequency Azimuth Elevation Pol
----
11 2.100 GHz Azimuth Elevation Single-pol

```

CONTACTS

SECTRON s.r.o. Josefa Šavla 1271/12
709 00 Ostrava 9, Czech Republic

WWW.SECTRON.CZ
Tel.: +420 556 621 020