



LTE ANTENNA

Antenna LTE MIMO Adhesive G305LM,
2.5 dBi, 2x SMA(m), 2x RG174/3m

AO-ALTE-G305LMS

SECTRON company offers a wide portfolio of LTE antennas with various versions differing in shape, level of gain and manner of attachment. SECTRON guarantees a compatible connection between an antenna and all antenna adaptors produced by SECTRON.



BENEFITS

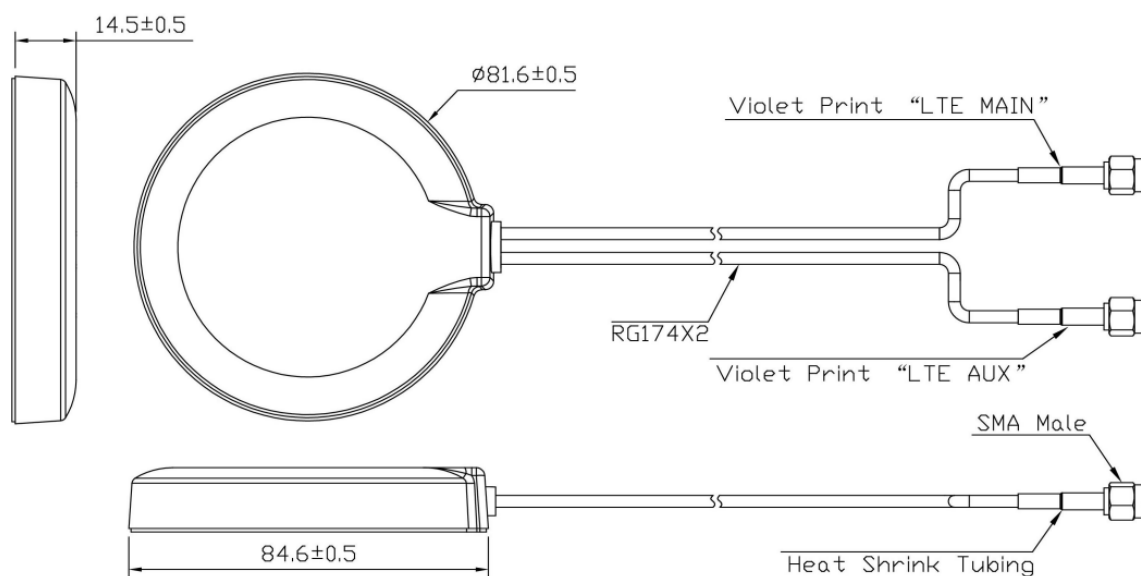
- Easy installation
- Omnidirectional - Suitable for moving devices

FEATURES

AO-ALTE-G305LMS

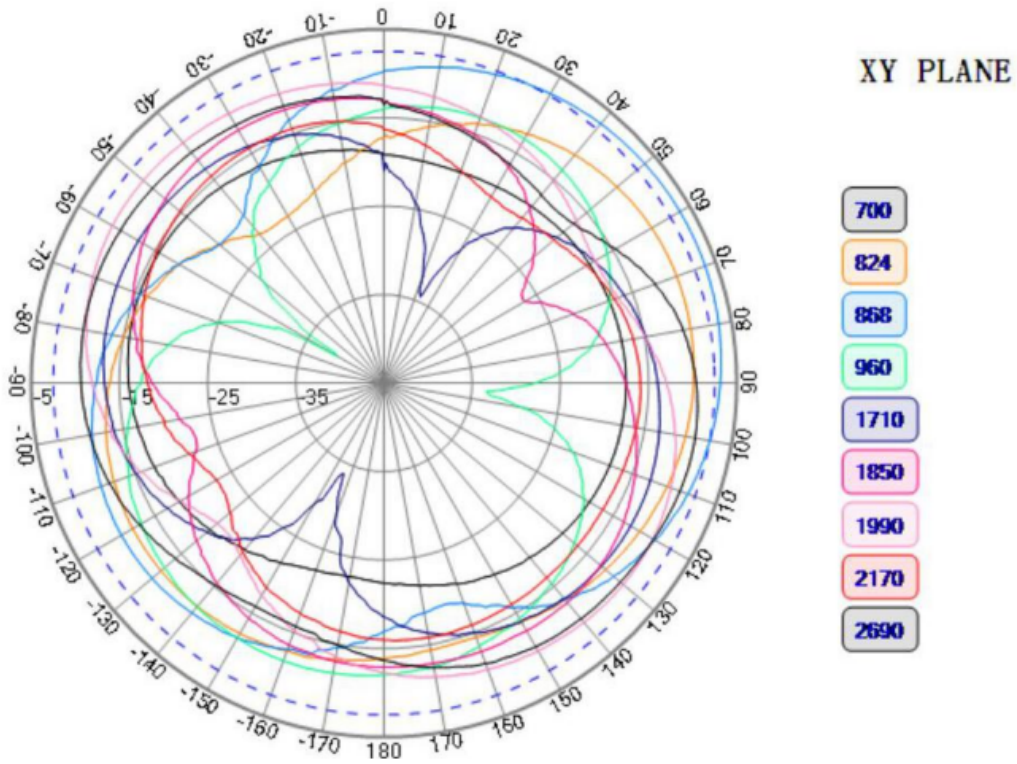
Technology	LTE
Frequency bands	698-960z/1710-2690 MHz
Bandwidth	-
Gain	2.5 dBi
VSWR	<3:1
Impedance	50 Ohm
Directivity	Omnidirectional
Beam angle	Via attached graphs
Polarization	Linear
Maximum input power	10 W
Power voltage	-
Dimensions	Ø 81.6 x 14.5 mm
Weight	123.87 g
Operating temperature	-40 to +85 °C
Execution	External
Method of attachment	Adhesive
Cable type	2 x RG174
The cable length	3 m
Connector type	2 x SMA(m)
Certification	RoHS
IP code	IP67
Material	ABS

DRAWING

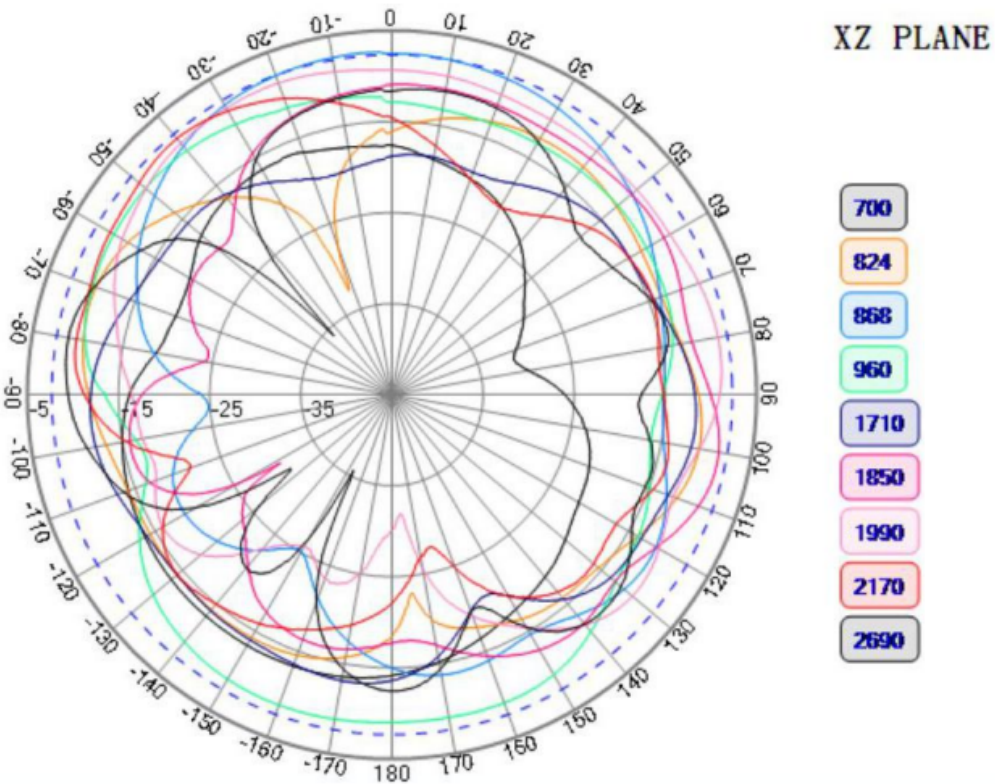


Unit:mm

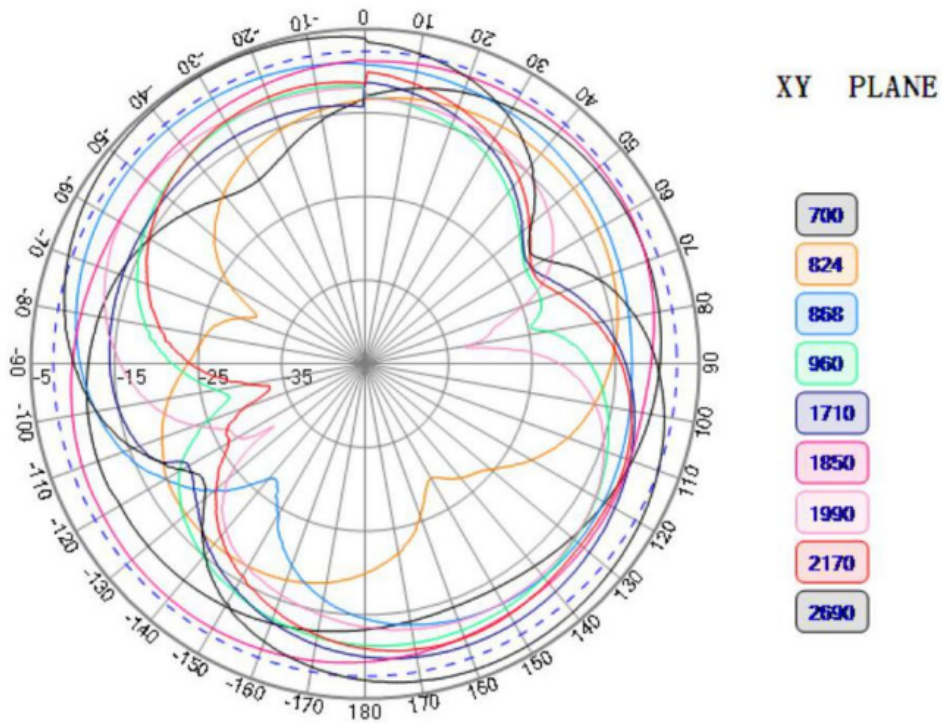
LTE MAIN - RADIATION PATTERN - XY plane



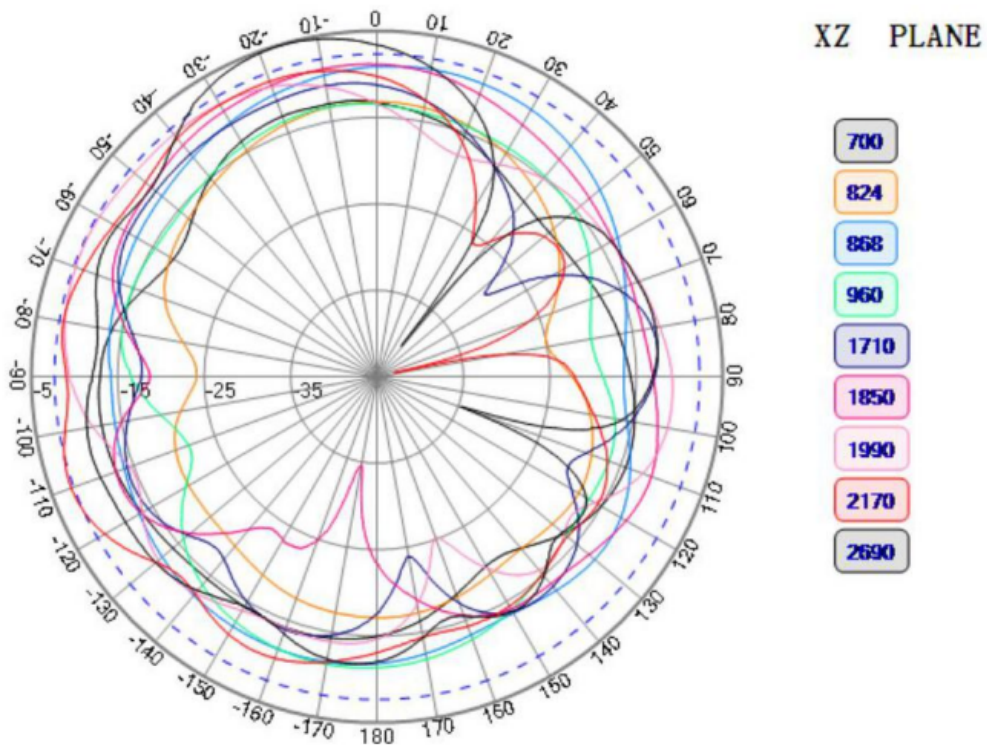
LTE MAIN - RADIATION PATTERN - XZ plane



LTE AUX - RADIATION PATTERN - XY plane



LTE AUX - RADIATION PATTERN - XZ plane



Different connector variants or cable lengths are available on request.

CONTACTS

SECTRON s.r.o. Josefa Šavla 1271/12
709 00 Ostrava 9, Czech Republic

WWW.SECTRON.CZ
Tel.: +420 556 621 020