



ANTENNA LTE

Antenna LTE Magnet Mount G018L, 2 dBi, SMA(m), RG174/3m

AO-ALTE-G018LS

SECTRON company offers a wide portfolio of LTE antennas with various versions differing in shape, level of gain and manner of attachment. SECTRON guarantees a compatible connection between an antenna and all antenna adaptors produced by SECTRON.



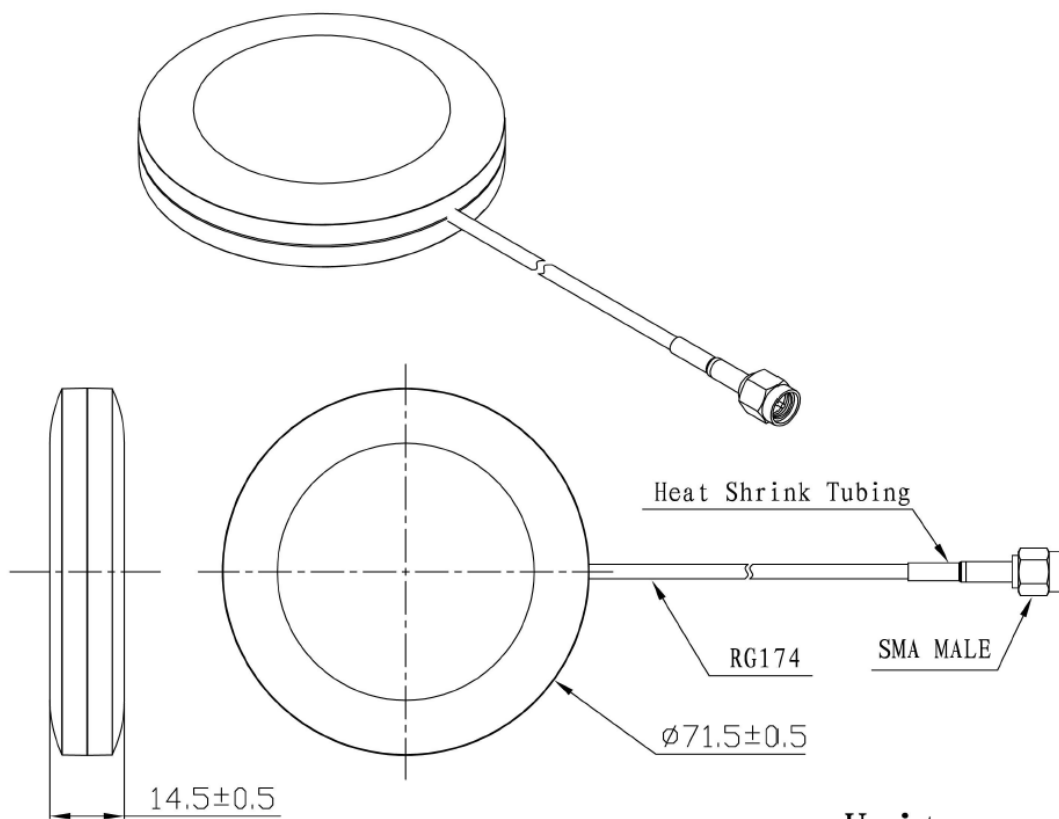
BENEFITS

- Omnidirectional – suitable for moving devices
- Strong magnetic mount

FEATURES

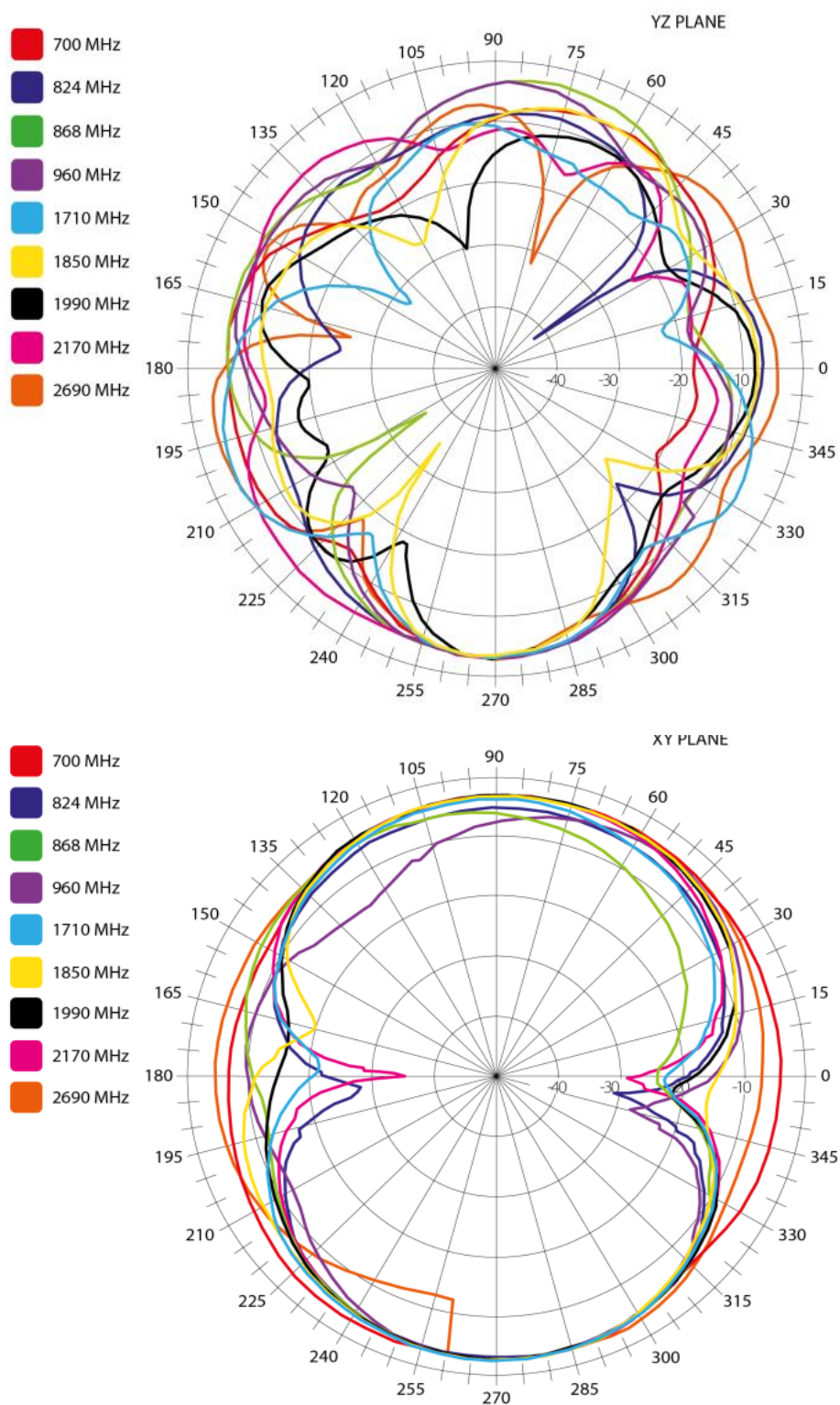
Technology	GSM/UMTS/LTE
Frequency bands	698-960/1710-2690 MHz
Bandwidth	-
Maximum gain	2 dBi
VSWR	<3.0:1
Impedance	50 Ω
Directivity	Omnidirectional
Beam angle	Attached graphs bellow
Polarization	Linear
Maximum input power	10 W
Power voltage	76.53 g
Dimensions	\varnothing 71.5 x 14.5 mm
Weight	76.53 g
Operating temperature	-40 $^{\circ}$ C to 85 $^{\circ}$ C
Execution	External
Method of attachment	Magnet Mount
Cable type	RG174/U
The cable length	3 m
Connector type	SMA (m)
Radome material	ABS
Certification	ROHS Compliant

DRAWING



Unit: mm

2D - RADIATION PATTERN



ALL VARIANTS

Different connector variants or cable lengths are available on request.

CONTACTS

SECTRON s.r.o. Josefa Šavla 1271/12
709 00 Ostrava 9, Czech Republic

WWW.SECTRON.CZ
Tel.: +420 556 621 020