



GSM/GPS ANTENNA

Antenna GSM/GPS Magnet Mount 008,
2 x SMA(m), RG174/3m

AO-AKOM-B008SS

SECTRON company offers a wide portfolio of GSM/GPS antennas with various versions differing in shape, level of gain and manner of attachment. SECTRON guarantees a compatible connection between an antenna and all antenna adaptors produced by SECTRON.

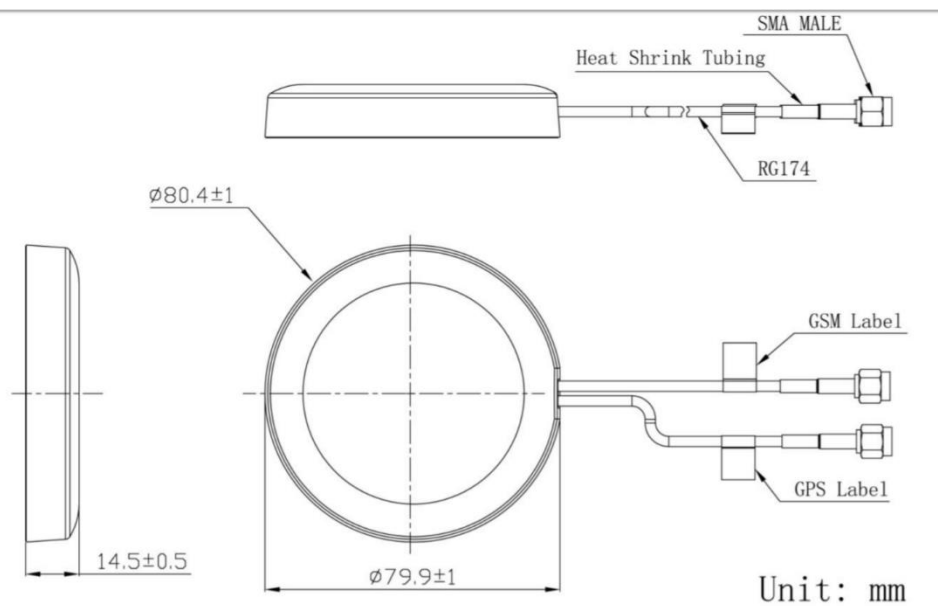


BENEFITS

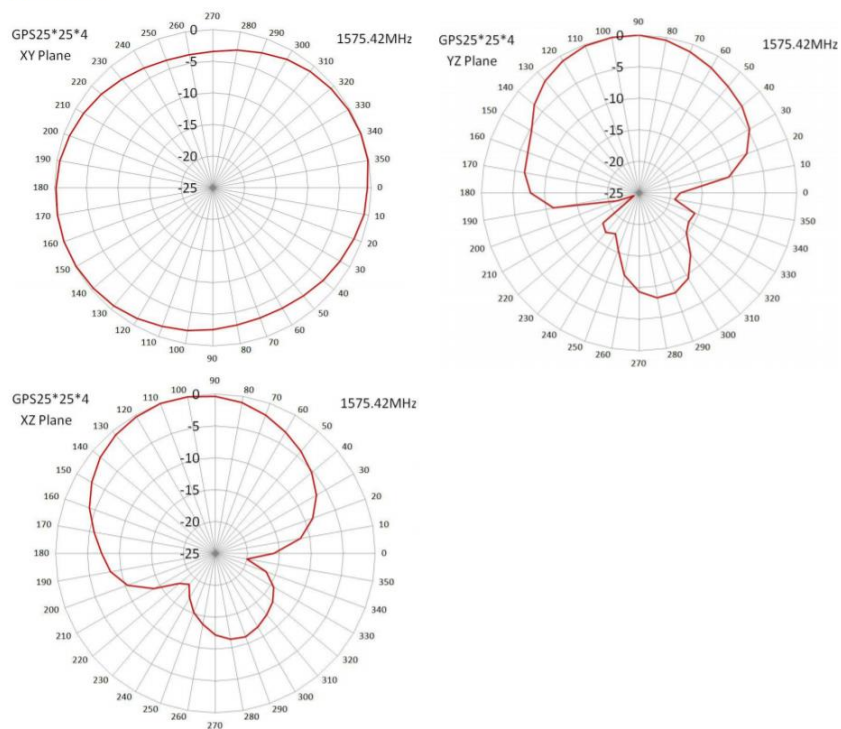
- Low VSWR
- High power supply range
- Easy installation

Technology	GSM/GPS
Frequency bands	900/1800/1900/2100/1575.42 MHz
Bandwidth	5 MHz
Gain	0/2 dBi
LNA gain	28±2 dB
VSWR	<2.0:1
Impedance	50 Ohm
Directivity	Omnidirectional
Beam angle	H 360° V 30°
Polarization	Linear/R.H.C.P.
Maximum input power	10 W
Power voltage	2.2 – 5 V DC
Dimensions	Ø80.4 x 14.5 mm
Weight	143.42 g
Operating temperature	-30 to +90 °C
Execution	External
Method of attachment	Magnet Mount
Cable type	2 x RG174
The cable length	2 x 3 m
Connector type	2 x SMA(m)

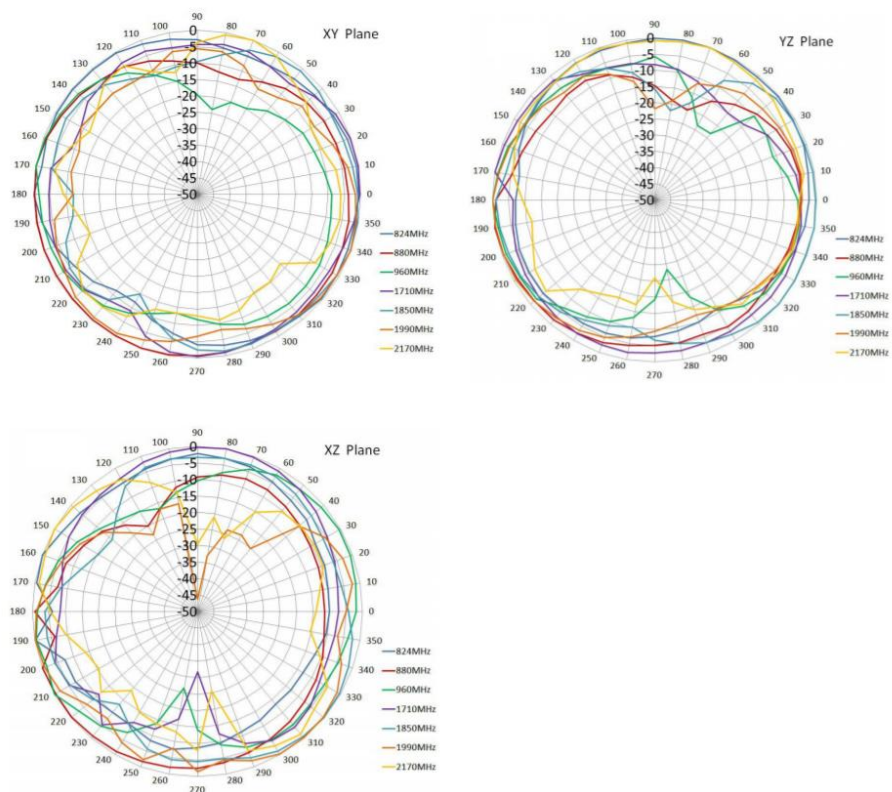
DRAWING



GPS Antenna



GSM Antenna



CONTACTS