



LTE ANTENNA

Antenna GSM Magnetic 25, 2.5 dBi, SMA(m), RG174/2.5m

AO-AGSM-MG2S

SECTRON company offers a wide portfolio of LTE antennas with various versions differing in shape, level of gain and manner of attachment. SECTRON guarantees a compatible connection between an antenna and all antenna adaptors produced by SECTRON.



BENEFITS

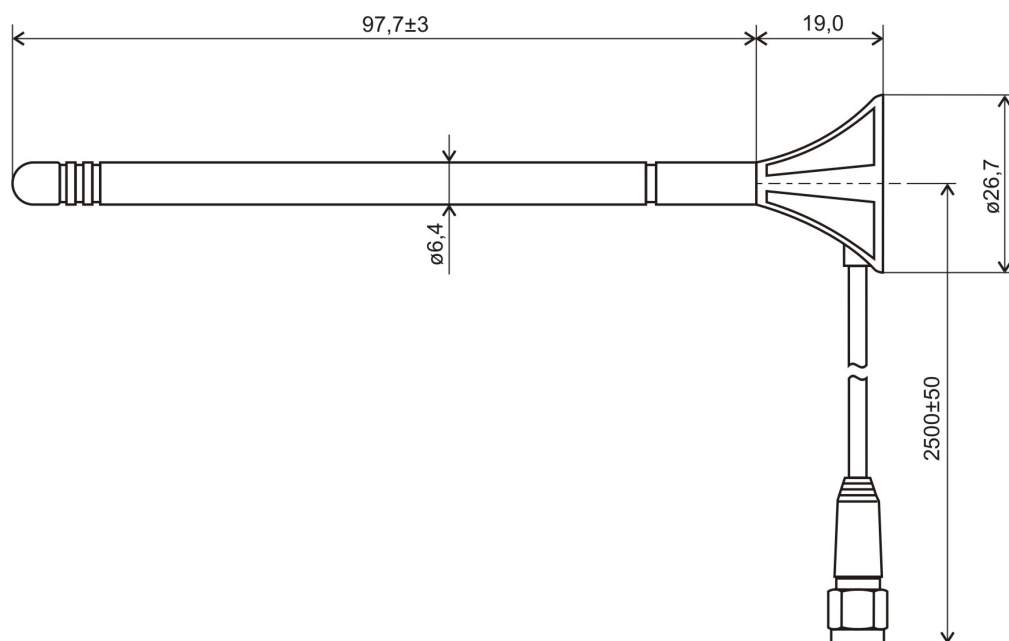
- Easy installation
- Dual band antenna
- Suitable for outdoor usage

FEATURES

AO-AGSM-MG2S

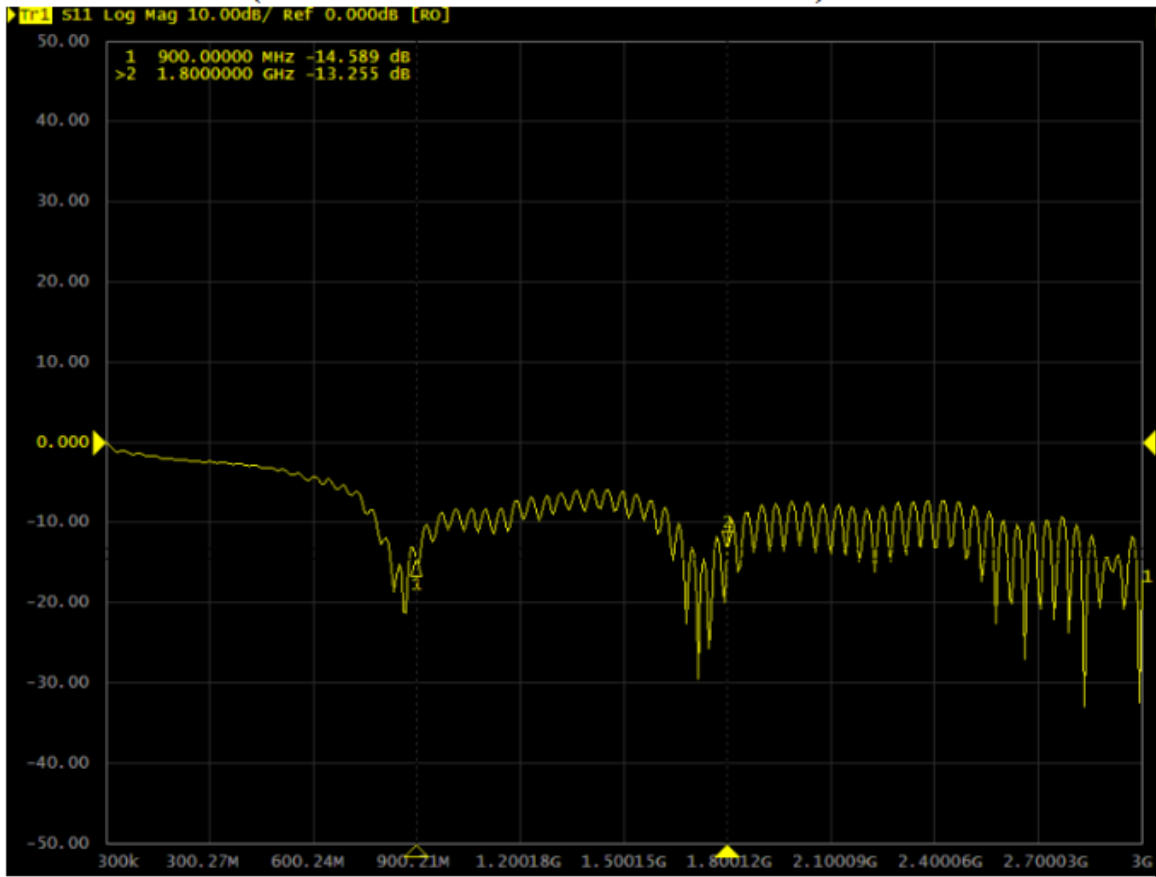
Technology	GSM
Frequency bands	900/1800 MHz
Bandwidth	-
Gain	2.5 dBi
VSWR	<1.5:1
Impedance	50 Ohm
Directivity	Omnidirectional
Beam angle	H 360° V 30°
Polarization	Vertical
Maximum input power	10 W
Power voltage	-
Dimensions	∅ 26.7 x 116.7 mm
Weight	39.49 g
Operating temperature	-30 to +90°C
Execution	External
Method of attachment	Magnetic
Cable type	RG174/U
The cable length	2.5 m
Connector type	SMA(m)

DRAWING

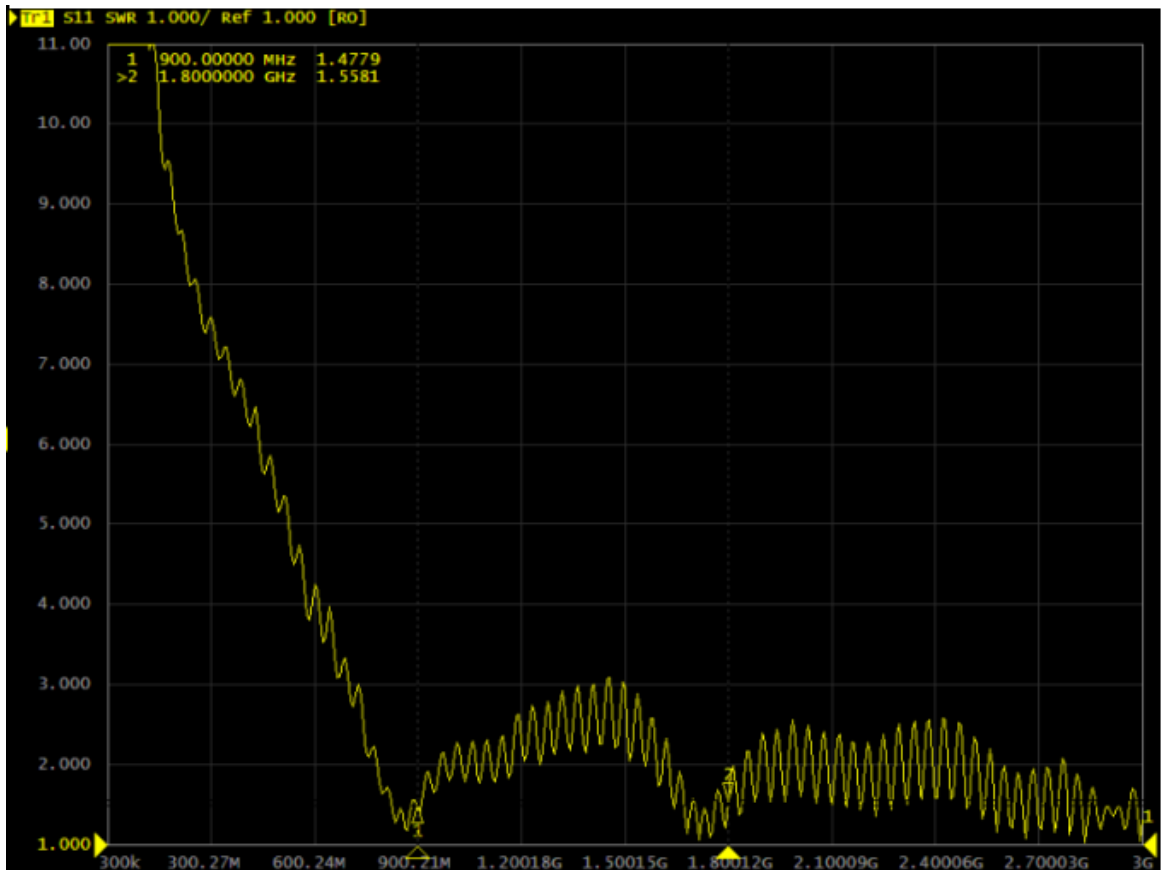


UNIT: mm

S_{11} - Return Loss [dB]

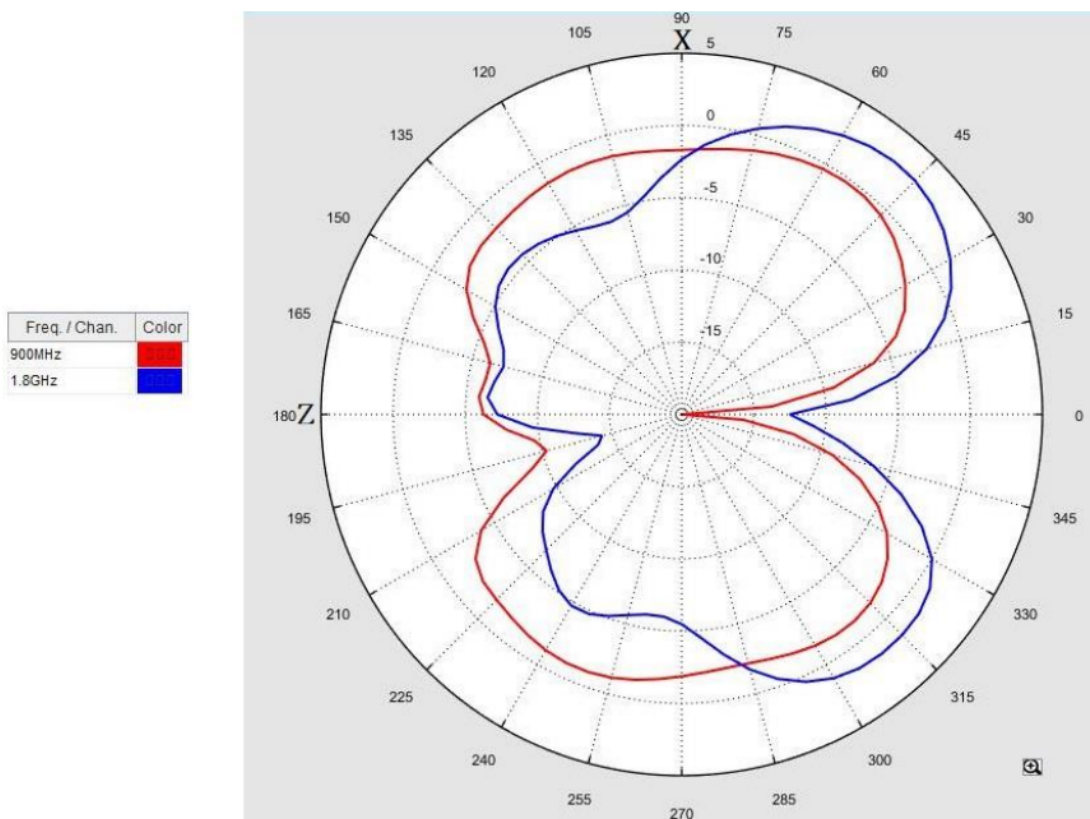


VSWR – Voltage standing wave ratio [-]



Frequency [MHz]	S_{11} [dB]	VSWR [-]	Gain [dBi]	Efficiency [%]
900	-14.58	1.47	-0.04	67.3
1800	-13.25	1.55	2.88	57.81

2D RADIATION PATTERN



Different connector variants or cable lengths are available on request.