



GSM/UMTS ANTENNA

Antenna GSM/UMTS antenna
SMD hexa-band, ceramic PIFA

AO-AG-PA25

SECTRON company offers a wide portfolio of GSM/UMTS antennas with various versions differing in shape, level of gain and manner of attachment. SECTRON guarantees a compatible connection between an antenna and all antenna adaptors produced by SECTRON.

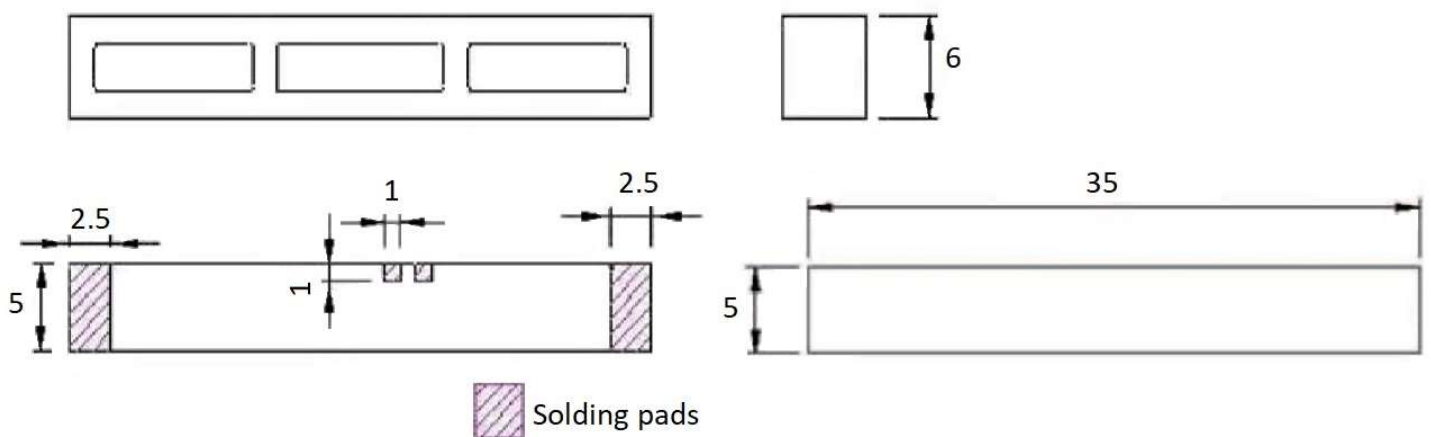


BENEFITS

- Optimized high frequency range
- Minimalist design

Technology	GSM/UMTS
Frequency bands	800/900/1700/2100 MHz
Bandwidth	-
Gain	1 - 4.6 dBi
VSWR	<3.5:1
Impedance	50 Ohm
Directivity	Omnidirectional
Beam angle	-
Polarization	Linear
Maximum input power	-
Power voltage	-
Dimensions	35 x 6 x 5 mm
Weight	3.29 g
Operating temperature	-40 to +80 °C
Execution	Internal
Method of attachment	Soldering
Cable type	-
The cable length	-
Connector type	-

DRAWING



Unit: mm

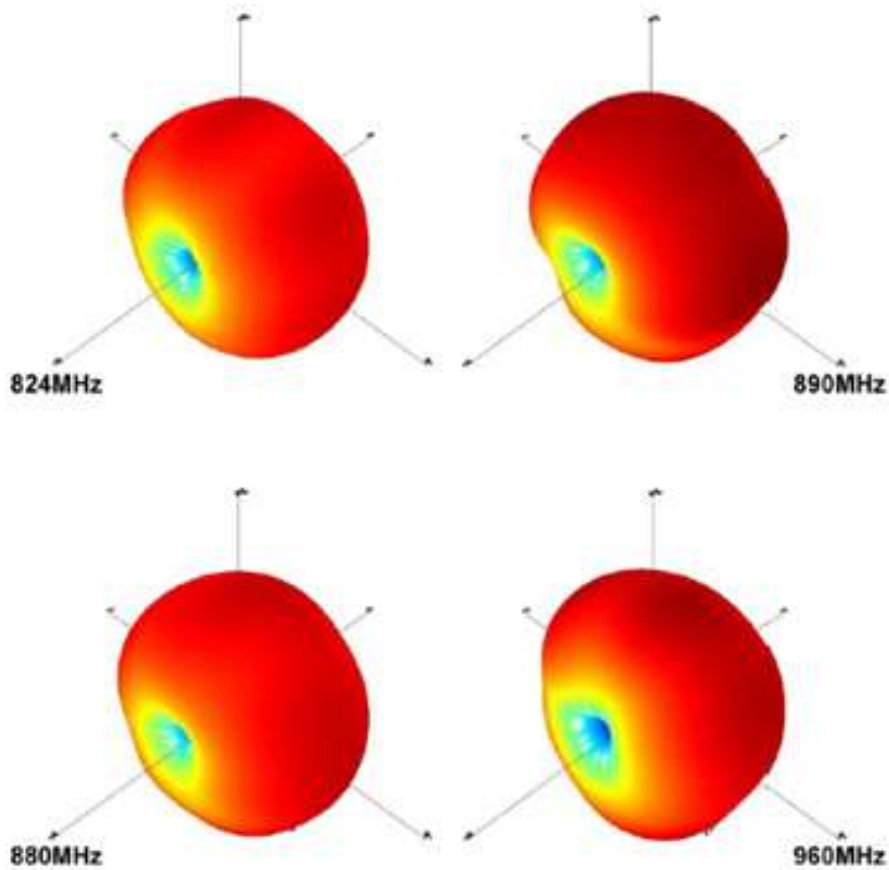
Gain and Efficiency vs Frequency

Penta-Band antenna peak gain parameter summary										
Band	GSM (MHz)				DCS (MHz)		PCS (MHz)		WCDMA (MHz)	
	824	890	880	960	1710	1880	1850	1990	2110	2170
Peak Gain(dBi)	1.49	0.92	1.76	1.35	2.53	2.38	2.30	2.46	2.69	4.62
Efficiency(%)	60.6	65.4	69.3	64.6	54.7	63.1	61.6	51.5	56.2	65.8

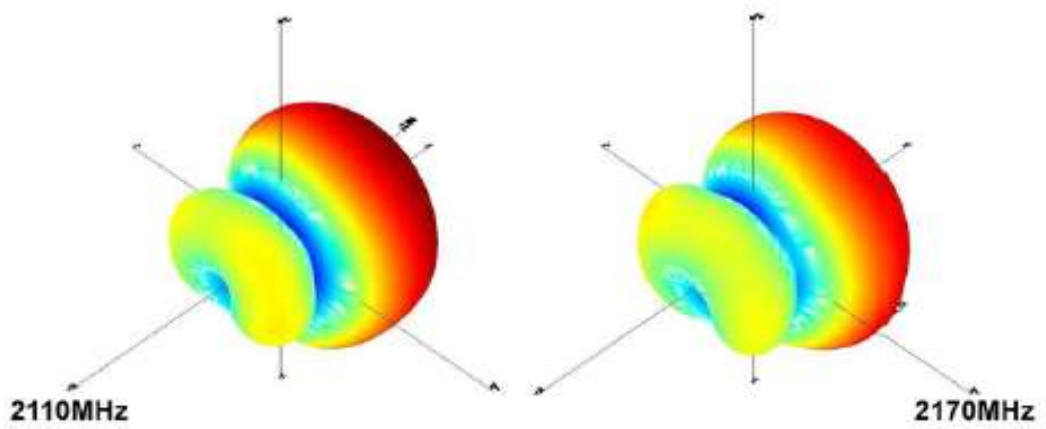
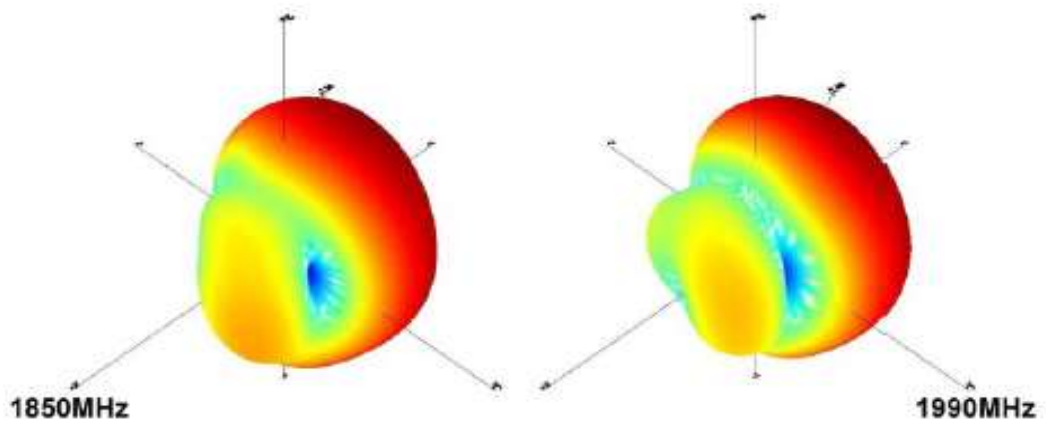
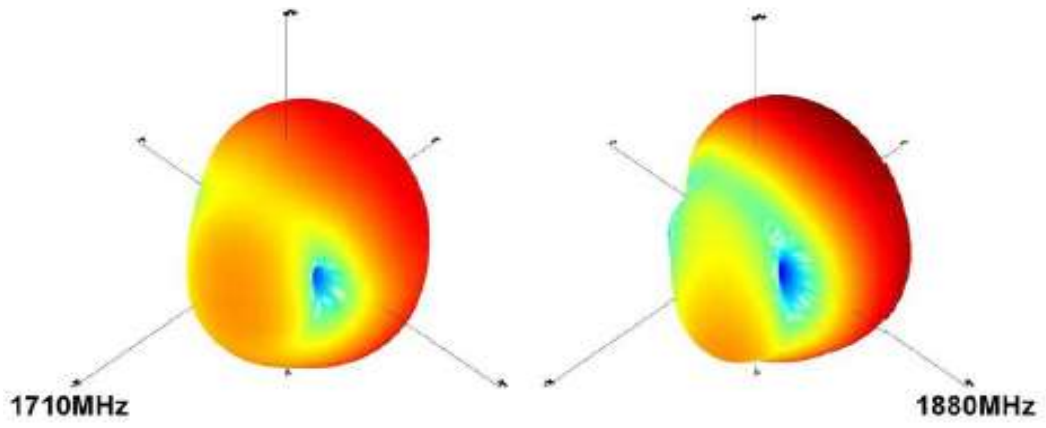
SIMULATED GRAFS

AO-AG-PA25

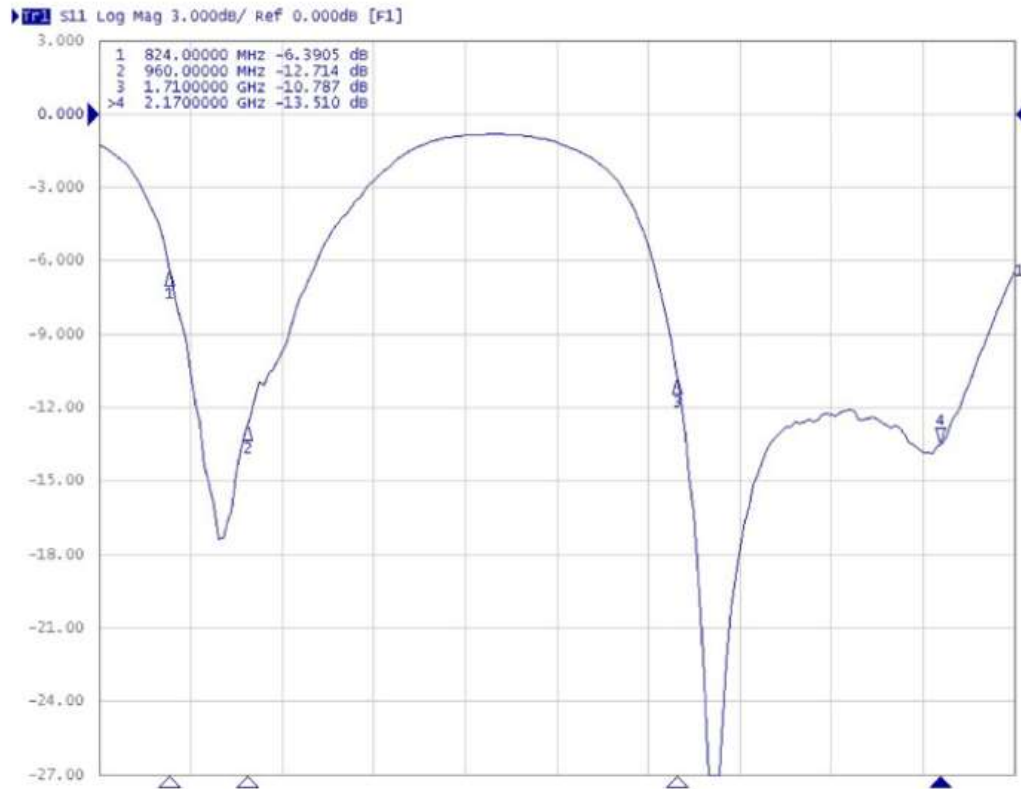
Radiation pattern



Radiation pattern



Graph -S11



VARIANTS

Different connector variants or cable lengths are available on request.

CONTACTS

SECTRON s.r.o. Josefa Šavla 1271/12
709 00 Ostrava 9, Czech Republic

WWW.SECTRON.CZ
Tel.: +420 556 621 021